

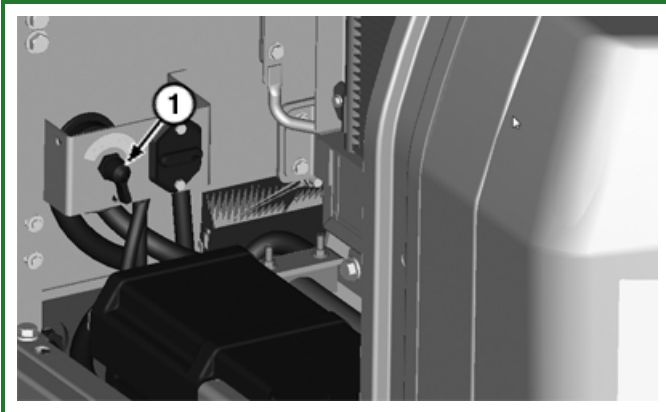
Check, Clean, and Tighten Battery Terminals

CAUTION:

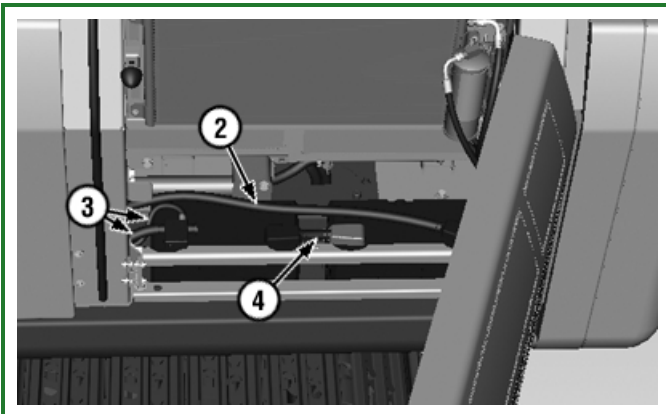
Prevent possible injury from exploding battery. Keep sparks and flames away from batteries.

NEVER check battery charge by placing a metal object across the posts. Use a voltmeter to check voltage.

ALWAYS remove grounded (-) battery clamp first and replace it last.



YN1125582-UN: Battery Disconnect Switch



YN1125583-UN: Battery Cables

LEGEND:

- 1 - Battery Disconnect Switch
- 2 - Negative (-) Cable
- 3 - Positive (+) Cable (2 used)
- 4 - Intermediate Battery Cable

1. Turn battery disconnect switch (1) to OFF.
2. See Removing and Installing Batteries. (Section 4-1). Remove battery cover.
3. Clean dirt and debris from top of batteries.

CAUTION:

Accidental contact between positive battery terminal and ground may cause

electrical flash and burns. Prevent possible injury. ALWAYS remove grounded (-) battery clamp first and replace it last.

4. Disconnect grounded negative (-) cable (2) clamp from battery post.
5. Disconnect positive (+) cable (3) clamps from battery post.
6. Disconnect and remove intermediate battery cable (4) connecting the two batteries in series.
7. Clean battery terminal posts and cable clamps with a stiff brush.
8. Apply lubricating grease around base of battery terminals.
9. Install intermediate battery cable and tighten clamps.
10. Connect positive (red) cable to positive (+) terminal post and tighten clamps.
11. Connect negative (black) cable to negative (-) terminal post and tighten clamp.
12. See Removing and Installing Batteries. (Section 4-1). Install battery cover.
13. Turn battery disconnect switch to ON.

CP00719,00004D5-19-20121210