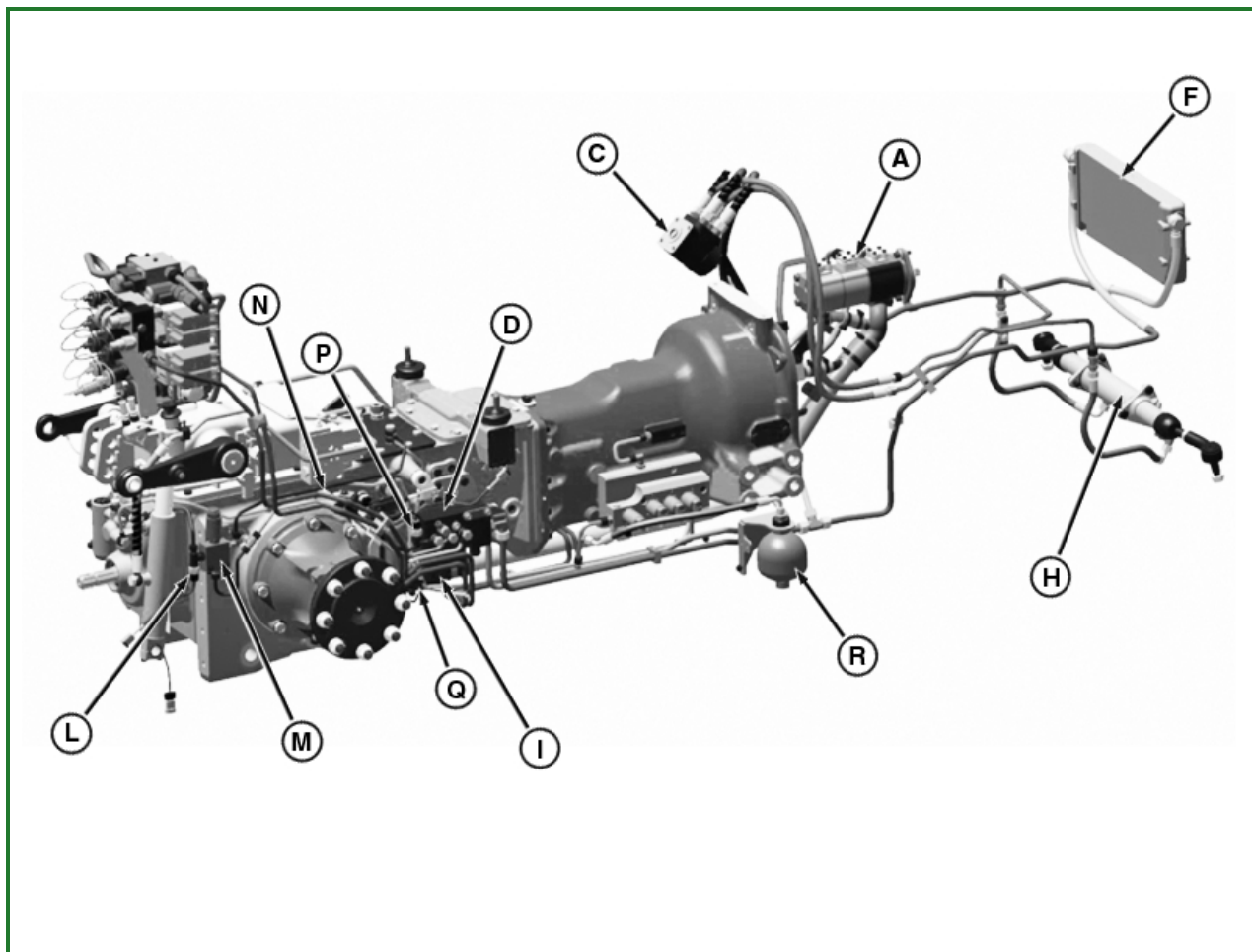
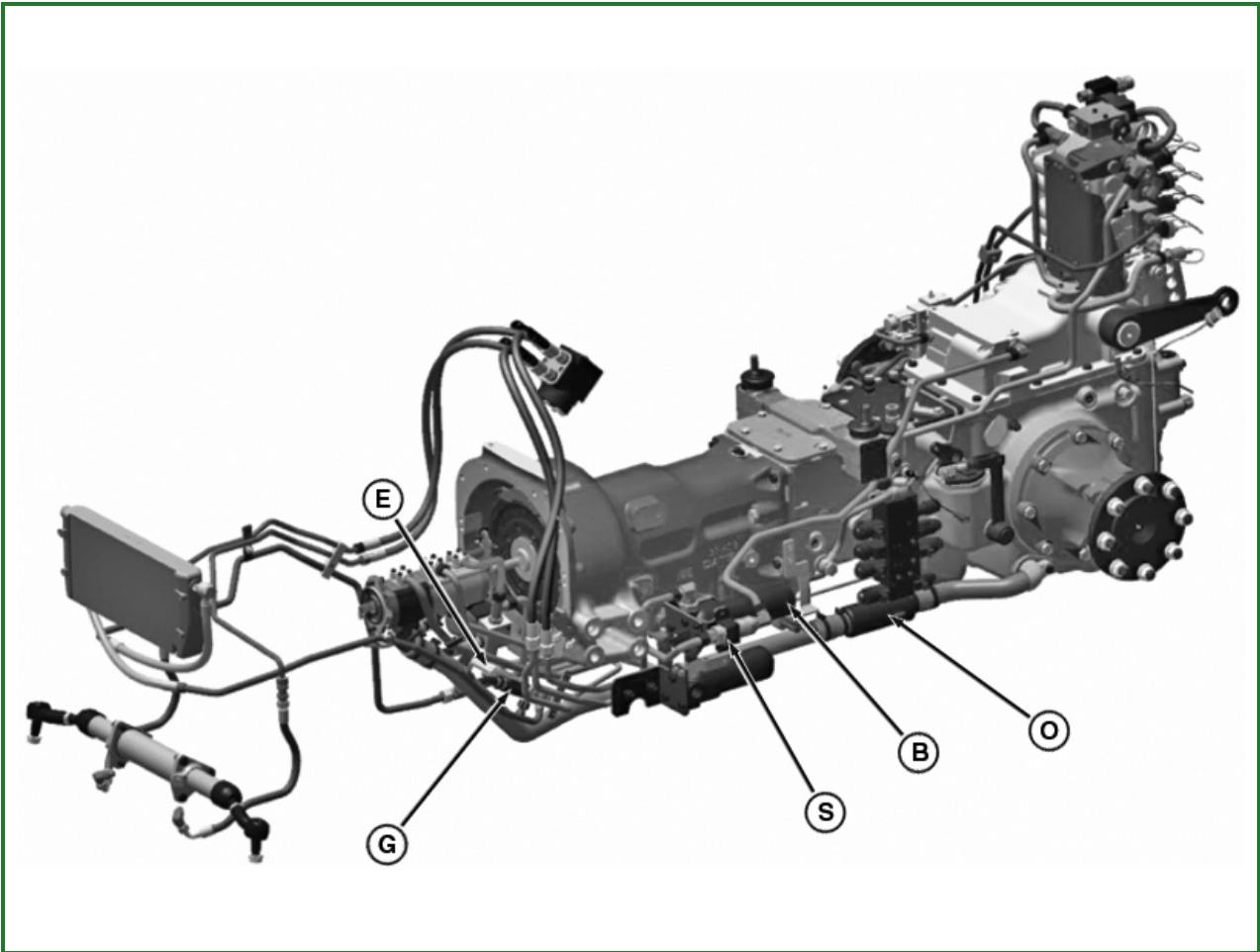


## Hydraulic System Operation



PY35923-UN: 5G VNF Shown



**PY35924-UN: 5G VNF Shown**

**LEGEND:**

- A - Pump
- B - Pressure filter
- C - Steering valve
- D - Actuator valve (18 bar)
- E - By-pass (oil cooler) (4 bar)
- F - Oil cooler
- G - Lube valve (2 bar)
- H - Steering cylinder
- I - Housing 4WD
- L - PTO Pressure switch
- M - PTO actuator valve
- N - Differential locking
- O - Suction filter
- P - Differential locking Pressure switch
- Q - 4WD pressure switch
- R - Hydraulic accumulator
- S - Noise reduction filter