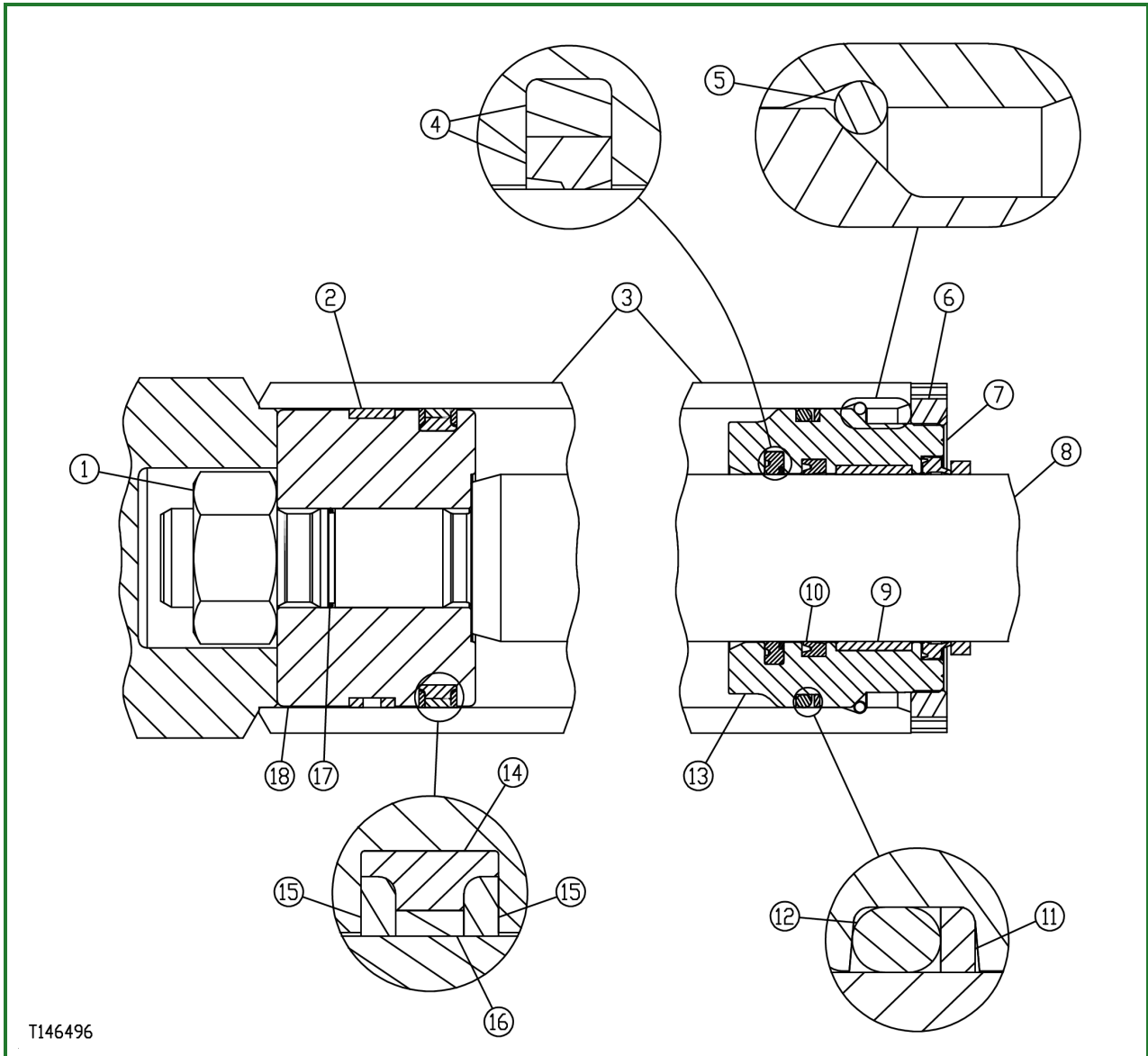


Cross Section of 120 Series Blade Lift (PAT) (S.N. 883332—) and Tilt Cylinder (PAT) (S.N. 883332—)



T146496

T146496-UN: Blade Lift and Tilt Cross Section

LEGEND:

- 1 - Nut
- 2 - Wear Ring
- 3 - Barrel
- 4 - Buffer Seal
- 5 - Retaining Ring
- 6 - Nut
- 7 - Wiper Seal
- 8 - Rod
- 9 - Wear Ring
- 10 - Rod Seal
- 11 - Backup Ring
- 12 - O-Ring
- 13 - Rod Guide
- 14 - Seal Expander
- 15 - Backup Ring (2 used)
- 16 - Cap Seal

17 - O-Ring (Lift Cylinder Only)

18 - Piston

Go to [Section_32:Group_3260](#)

TX03399,000190F-19-20070219