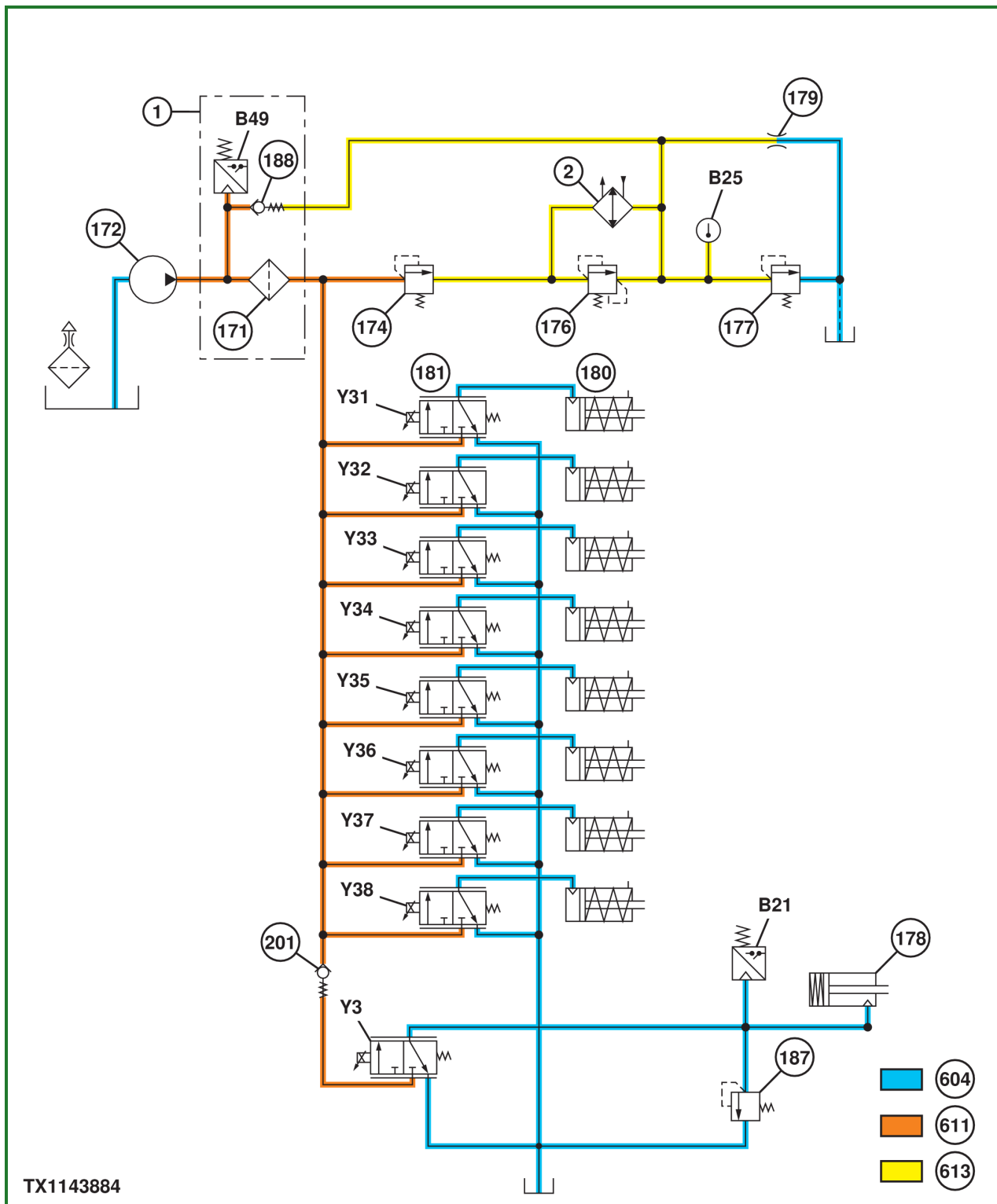


Power Train Schematic



TX1143884-UN: Power Train System Schematic

LEGEND:

- 1 - Transmission Oil Filter Assembly
- 2 - Transmission Oil Cooler
- 171 - Transmission Oil Filter
- 172 - Transmission Charge Pump
- 174 - Transmission System Pressure Regulator
- 176 - Transmission Oil Cooler Bypass Valve
- 177 - Lubrication Relief Valve
- 178 - Park Brake

- 179 - Orifice
- 180 - Clutch Piston (8 used)
- 181 - Proportional Valve (8 used)
- 187 - Park Brake Relief Valve
- 188 - Transmission Oil Filter Bypass Valve
- 201 - Inlet Check Valve
- 604 - Return Oil
- 611 - Charge Oil
- 613 - Reduced Charge Oil
- B21 - Park Brake Pressure Switch
- B25 - Transmission Oil Temperature Sensor
- B49 - Transmission Filter Restriction Switch
- Y3 - Park Brake Solenoid
- Y31 - Transmission Solenoid Valve 1
- Y32 - Transmission Solenoid Valve 2
- Y33 - Transmission Solenoid Valve 3
- Y34 - Transmission Solenoid Valve 4
- Y35 - Transmission Solenoid Valve A
- Y36 - Transmission Solenoid Valve B
- Y37 - Transmission Solenoid Valve C
- Y38 - Transmission Solenoid Valve D

[Go to Section_9020:Group_15](#)

DS35042,00003D4-19-20140303