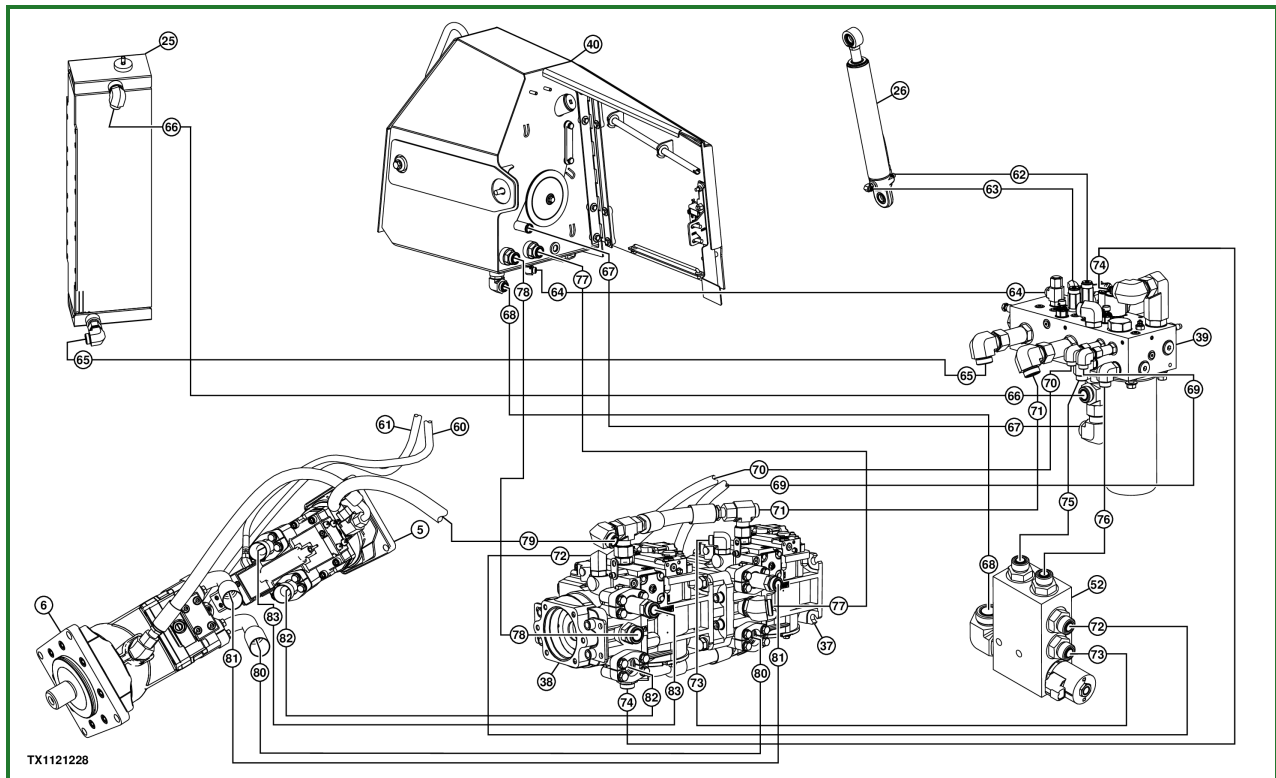


## Hydrostatic System Line Identification



### TX1121228-UN: Hydrostatic System Line Identification

#### **LEGEND:**

- 5 - Left Hydrostatic Motor
- 6 - Right Hydrostatic Motor
- 25 - Hydrostatic Oil Cooler
- 26 - Cab Tilt Cylinder
- 37 - Front Hydrostatic Pump (right track)
- 38 - Rear Hydrostatic Pump (left track)
- 39 - Hydraulic Integrated Circuit (HIC) Valve
- 40 - Hydrostatic Reservoir
- 52 - Hydrostatic Cold Start Valve
- 60 - Left Diagnostic Test Port Forward and Reverse
- 61 - Right Diagnostic Test Port Forward and Reverse
- 62 - Cab Tilt Cylinder Up Line
- 63 - Cab Tilt Cylinder Down Line
- 64 - Hand Pump Suction Line (hydrostatic reservoir to HIC valve HP\_IN port)
- 65 - Return Line (HIC valve TO\_CLR\_BOT port to bottom of hydrostatic oil cooler)
- 66 - Return Line (HIC valve port T to top of hydrostatic oil cooler)
- 67 - Return Line (HIC valve port T to hydrostatic reservoir)
- 68 - Return Line (hydrostatic cold start valve TANK port to hydrostatic reservoir)
- 69 - Charge Pressure Line (HIC valve CHG\_OUT port to front hydrostatic pump)
- 70 - Charge Pressure Line (HIC valve CHG\_OUT port to rear hydrostatic pump)
- 71 - Case Drain Line (hydrostatic pumps and motors to HIC valve CSE\_IN port)
- 72 - Charge Pressure Line (rear hydrostatic pump port D to hydrostatic cold start valve CHR3 port)
- 73 - Charge Pressure Line (front hydrostatic pump port D to hydrostatic cold start valve CHR4 port)
- 74 - Case Flushing Line (HIC valve P\_CSE\_OUT port to bottom of hydrostatic pump cases)
- 75 - Charge Pressure Line (hydrostatic cold start valve CHR1 port to HIC valve CHG\_IN port)
- 76 - Charge Pressure Line (hydrostatic cold start valve CHR2 port to HIC valve CHG\_IN port)

## Hydrostatic System Line Identification

---

- 77 - Charge Pump Suction Line (hydrostatic reservoir to front hydrostatic pump S port)
- 78 - Charge Pump Suction Line (hydrostatic reservoir to rear hydrostatic pump S port)
- 79 - Case Drain Line (hydrostatic motors to hydrostatic pumps)
- 80 - Reverse Pressure Line (front hydrostatic pump port A to right hydrostatic motor port A)
- 81 - Forward Pressure Line (front hydrostatic pump port B to right hydrostatic motor port B)
- 82 - Reverse Pressure Line (rear hydrostatic pump port A to left hydrostatic motor port B)
- 83 - Forward Pressure Line (rear hydrostatic pump port B to left hydrostatic motor port A)

Go to [Section\\_9026:Group\\_15](#)

TE14778,000039B-19-20120822