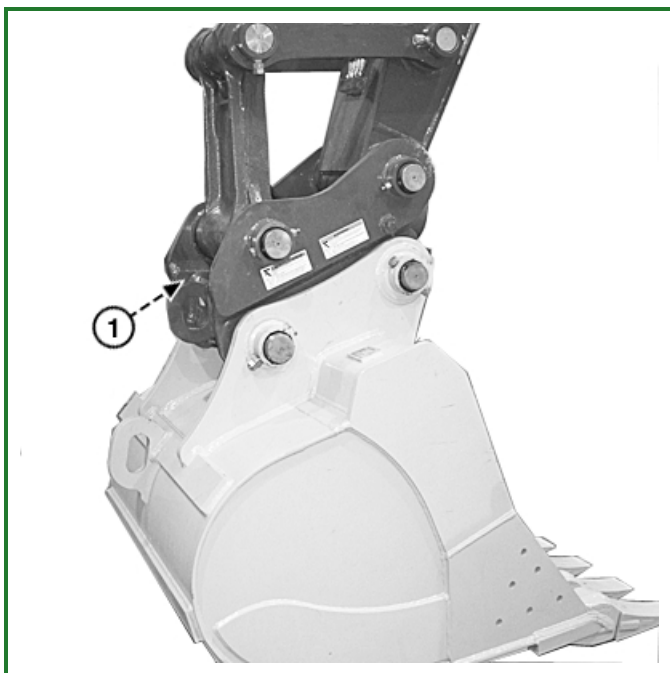
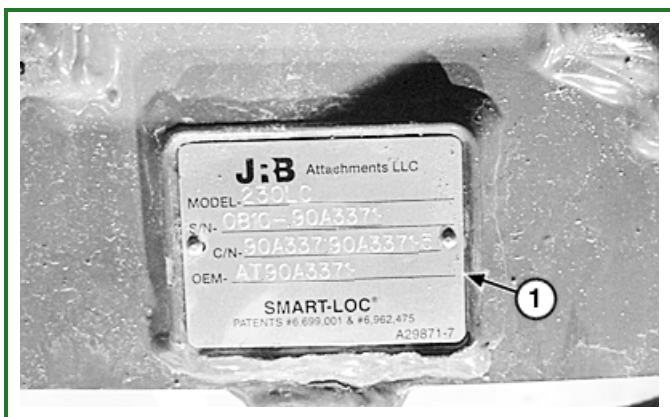


## Record Hydraulic Coupler Serial Number—If Equipped



TX1086497A-UN: Hydraulic Coupler Serial Number Plate Location



TX1086500A-UN: Hydraulic Coupler Serial Number Plate

### LEGEND:

1 - Hydraulic Coupler Serial Number Plate

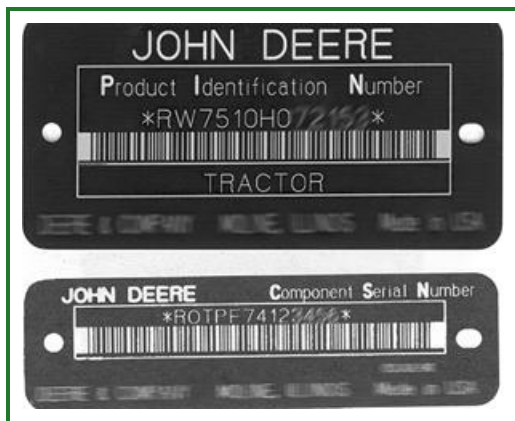
-: Hydraulic Coupler Serial Number

Hydraulic Coupler Serial Number:

The hydraulic coupler serial number plate (1) is located on the front side of the coupler.

ER79617,0000D8F-19-20160105

## Keep Proof of Ownership



### TS1680-UN: Product Identification Number

1. Maintain in a secure location an up-to-date inventory of all product and component serial numbers.
2. Regularly verify that identification plates have not been removed. Report any evidence of tampering to law enforcement agencies and order duplicate plates.
3. Other steps you can take:
  - Mark your machine with your own numbering system
  - Take color photographs from several angles of each machine

DX,SECURE1-19-20031118