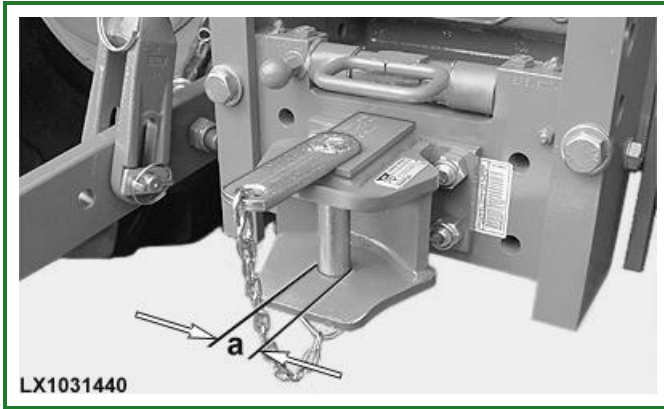


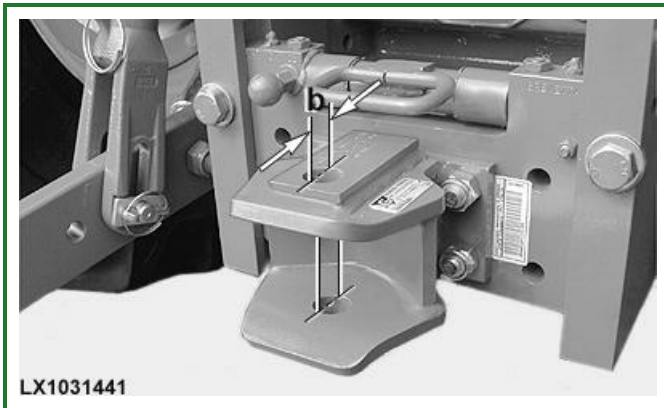
## Check the Manually-Operated Hitch for Wear (Italy and Spain Only)

### **⚠ CAUTION:**

*Parts that have reached or exceeded their wear limit must be replaced with new parts.*



LX1031440-UN: Hitch pin



LX1031441-UN: Hitch pin

Check diameter (a) of the hitch pin.

Check diameter (b) of the receiver hole.

**-: Specifications**

<b>Specifications for hitch pins with a nominal diameter of 28.0 mm (1.10 in.)</b>	
Hitch pin — Wear limit or minimum diameter.....	26.5 mm (1.04 in.)
Receiver hole, top and bottom (in direction of travel) — Wear limit or maximum permissible diameter (oval).....	31.0 mm (1.22 in.)

**-: Specifications**

<b>Specifications for hitch pins with a nominal diameter of 43.0 mm (1.69 in.)</b>	
Hitch pin — Wear limit or minimum diameter.....	41.0 mm (1.61 in.)
Receiver hole, top and bottom (in direction of travel) — Wear limit or maximum permissible diameter (oval).....	46.0 mm (1.81 in.)

