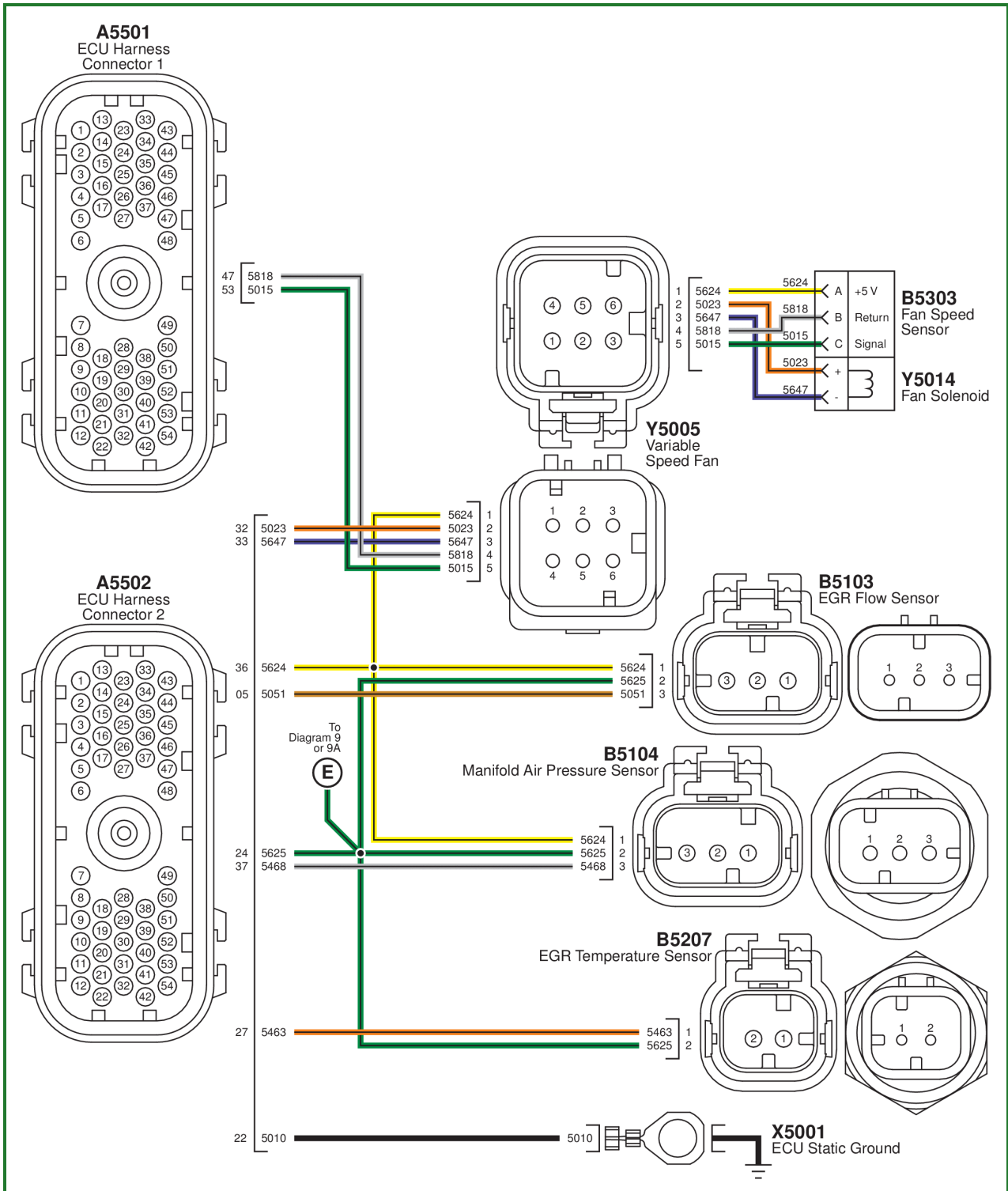


4.5 L Wiring Diagram 4

NOTE:

Some components are not available or are optional for certain applications.



RG25013A-UN: Wiring Diagram 4

LEGEND:

- A5501 - ECU Harness Connector 1
- A5501-47 - [5818 Gray] Fan Speed Return
- A5501-53 - [5015 Green] Fan Speed Sensor Signal
- A5502 - ECU Harness Connector 2
- A5502-05 - [5051 Brown] EGR Flow Sensor Signal

A5502-22 - [5010 Black] ECU Static Ground
A5502-24 - [5625 Green] 5 V Sensor Supply #7 Return
A5502-27 - [5463 Orange] EGR Temperature Sensor Signal
A5502-32 - [5023 Orange] Variable Speed Fan Drive Positive
A5502-33 - [5647 Violet] Variable Speed Fan Drive Negative
A5502-36 - [5624 Yellow] 5 V Sensor Supply #7 Positive
A5502-37 - [5468 Gray] Manifold Air Pressure Sensor Signal
B5103 - EGR Flow Sensor
B5104 - Manifold Air Pressure Sensor
B5207 - EGR Temperature Sensor
B5303 - Fan Speed Sensor
E - To [4.5 L Wiring Diagram 9](#) or [4.5 L Wiring Diagram 9A](#)
X5001 - ECU Static Ground
Y5005 - Variable Speed Fan
Y5014 - Fan Solenoid

Go to [Section_06:Group_210](#)

BK53208,0000019-19-20180830