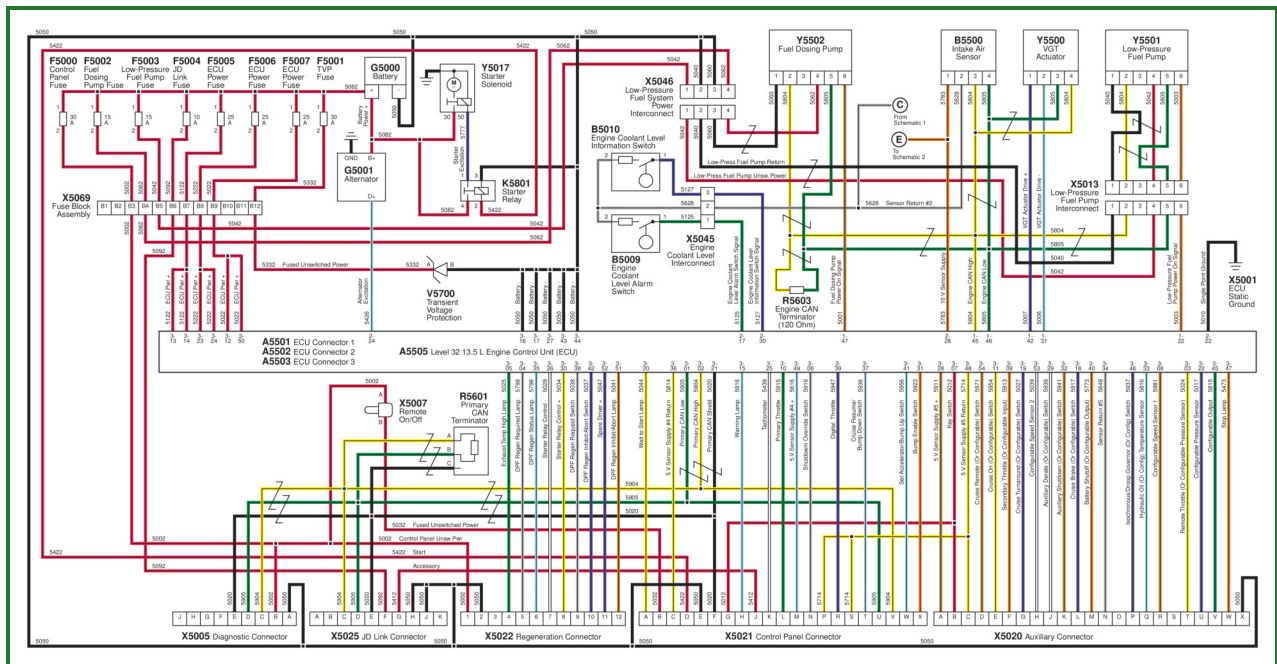


Engine Schematic 3

NOTE:

Some components are not available or are optional for certain applications.



RG22987E-UN: Engine Schematic 3

LEGEND:

- A5501 - ECU Harness Connector 1
- A5501-22 - [5003 Orange] Low-Pressure Fuel Pump Power On Signal
- A5501-31 - [5006 Blue] VGT Actuator Drive Negative
- A5501-42 - [5007 Violet] VGT Actuator Drive Positive
- A5501-45 - [5804 Yellow] Engine CAN High Signal
- A5501-46 - [5805 Green] Engine CAN Low Signal
- A5501-47 - [5001 Brown] Fuel Dosing Pump Power On Signal
- A5502 - ECU Harness Connector 2
- A5502-14 - [5628 Gray] Sensor Return #2
- A5502-17 - [5125 Green] Engine Coolant Level Alarm Switch Signal
- A5502-22 - [5010 Black] Single Point Ground
- A5502-28 - [5783 Orange] 10 V Sensor Supply
- A5502-30 - [5127 Violet] Engine Coolant Level Information Switch Signal
- A5503 - ECU Harness Connector 3
- A5503-1 - [5905 Green] Primary CAN Low
- A5503-2 - [5904 Yellow] Primary CAN High
- A5503-3 - [5024 Yellow] Remote Throttle (Or Configurable Pressure Sensor)
- A5503-4 - [5798 Gray] DPF Regeneration Required Lamp
- A5503-5 - [5025 Green] Exhaust Temperature High Lamp
- A5503-6 - [5918 Gray] Shutdown Override Switch
- A5503-7 - [5012 Red] Key Switch
- A5503-8 - [5981 Brown] Configurable Speed Sensor 1
- A5503-9 - [5913 Orange] Secondary Throttle (Or Configurable Input)
- A5503-10 - [5915 Green] Primary Throttle

A5503-11 - [5954 Yellow] Cruise On (Or Configurable) Switch
 A5503-12 - [5022 Red] ECU Power Positive
 A5503-13 - [5122 Red] ECU Power Positive
 A5503-14 - [5122 Red] ECU Power Positive
 A5503-15 - [5916 Blue] Warning Lamp
 A5503-16 - [5050 Black] Battery Negative
 A5503-17 - [5050 Black] Battery Negative
 A5503-18 - [5917 Violet] Cruise Brake (Or Configurable) Switch
 A5503-19 - [5027 Violet] Cruise Turnaround (Or Configurable) Switch
 A5503-20 - [5044 Yellow] Wait to Start Lamp
 A5503-21 - [5020 Black] Primary CAN Shield
 A5503-22 - [5017 Violet] Configurable Pressure Sensor
 A5503-23 - [5222 Red] ECU Power Positive
 A5503-24 - [5222 Red] ECU Power Positive
 A5503-25 - [5439 White] Tachometer
 A5503-26 - [5029 White] Starter Relay Control Negative
 A5503-27 - [5050 Black] Battery Negative
 A5503-28 - [5911 Brown] 5 V Sensor Supply #5 Positive
 A5503-29 - [5939 White] Auxiliary Derate (Or Configurable) Switch
 A5503-30 - [5034 Yellow] Starter Relay Control Positive
 A5503-31 - [5923 Orange] Bump Enable Switch
 A5503-32 - [5941 Brown] Auxiliary Shutdown (Or Configurable) Switch
 A5503-33 - [5816 Blue] Hydraulic Oil (Or Configurable) Temperature Sensor
 A5503-34 - [5648 Gray] Sensor Return #5
 A5503-35 - [5796 Blue] DPF Regeneration Status Lamp
 A5503-36 - [5814 Yellow] 5 V Sensor Supply #4 Return
 A5503-37 - [5936 Blue] Cruise Resume/Bump Down Switch
 A5503-38 - [5038 Gray] DPF Regeneration Request Switch
 A5503-39 - [5947 Violet] Digital Throttle
 A5503-40 - [5773 Orange] Battery Shutoff (Or Configurable Output)
 A5503-41 - [5956 Blue] Set Accelerator/Bump Up Switch
 A5503-42 - [5037 Violet] DPF Regeneration Inhibit/Abort Switch
 A5503-43 - [5050 Black] Battery Negative
 A5503-44 - [5050 Black] Battery Negative
 A5503-45 - [5815 Green] Configurable Output
 A5503-46 - [5937 Violet] Isochronous/Droop Governor (Or Configurable) Switch
 A5503-47 - [5473 Orange] Stop Lamp
 A5503-48 - [5714 Yellow] 5 V Sensor Supply #5 Return
 A5503-49 - [5616 Blue] 5 V Sensor Supply #4 Positive
 A5503-50 - [5022 Red] ECU Power Positive
 A5503-51 - [5041 Brown] DPF Regeneration Inhibit/Abort Lamp
 A5503-52 - [5047 Violet] Spare Driver Positive
 A5503-53 - [5039 White] Configurable Speed Sensor 2
 A5503-54 - [5971 Brown] Cruise Remote (Or Configurable) Switch
 A5505 - Level 32 13.5 L Engine Control Unit (ECU)
 B5009 - Engine Coolant Level Alarm Switch
 B5010 - Engine Coolant Level Information Switch
 B5500 - Intake Air Sensor