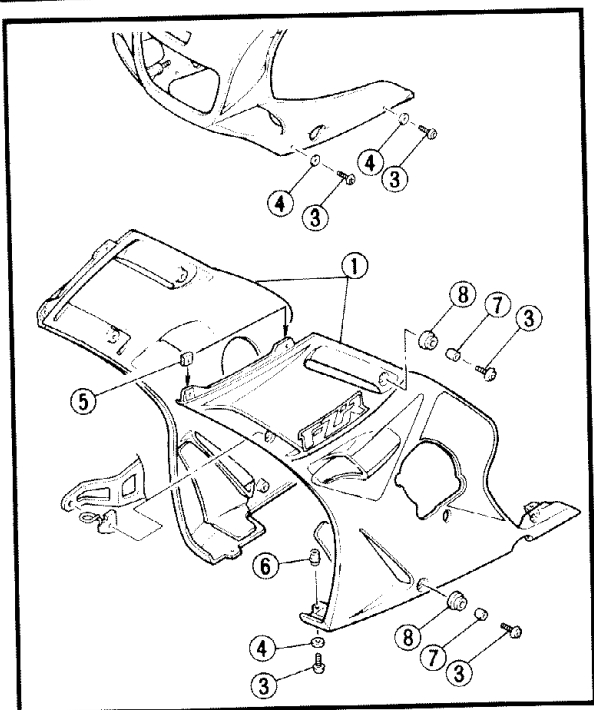


**PERIODIC INSPECTION  
AND ADJUSTMENT  
COWLINGS/COVERS REMOVAL  
AND INSTALLATION**

**REMOVAL**

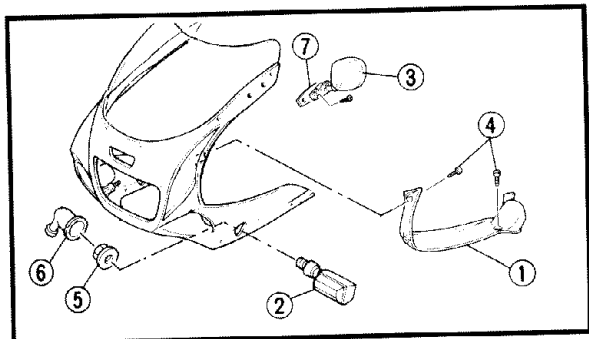
1. Remove:
  - Side cowlings (left ① and right ②)

- ③ Bolt
- ④ Plastic washer
- ⑤ Spring nut
- ⑥ Special nut
- ⑦ Collar
- ⑧ Damper



2. Remove:
  - Duct covers (left and right) ①
  - Flasher lights (left and right) ②
  - Rear view mirror (left and right) ③

- ④ Screw
- ⑤ Nut
- ⑥ Cap
- ⑦ Damper



3. Remove:
  - Upper cowling ①

**CAUTION:**

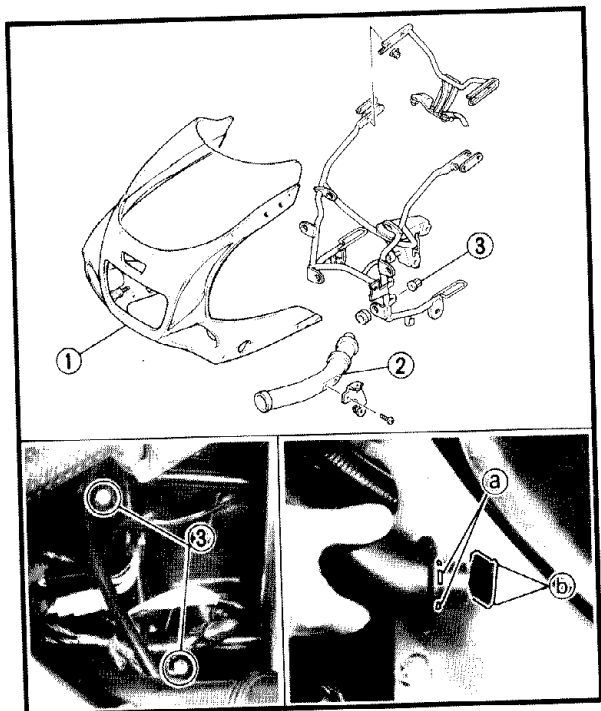
Remove the headlight together with the upper cowling to prevent the headlight from falling out.

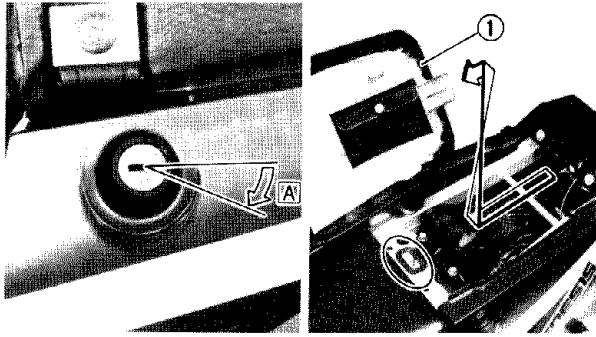
4. Remove:
  - Air intake ducts (left and right) ②

**NOTE:**

Align the projections (a) on the duct with the slots (b) in the frame.

- ③ Nut

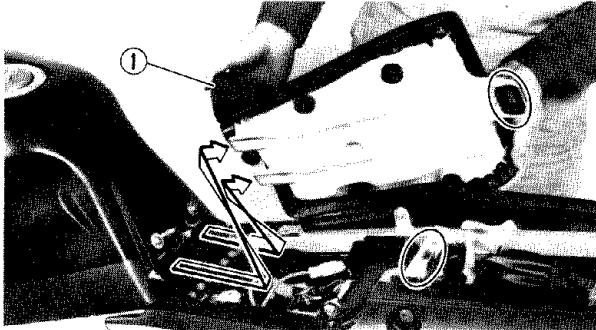




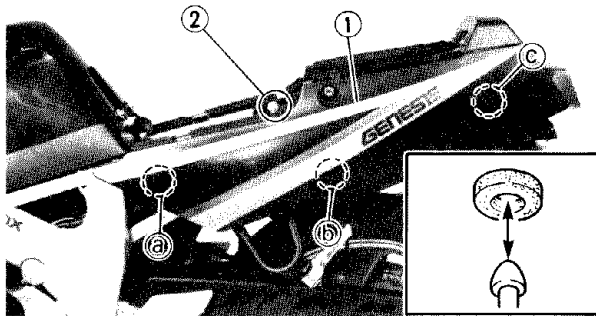
**Covers**

1. Remove:
  - Passenger seat ①

**NOTE:** \_\_\_\_\_  
Insert the key into the lock and turn it clock-wise **A** to release the seat lock.  
\_\_\_\_\_



2. Remove:
  - Rider seat ①



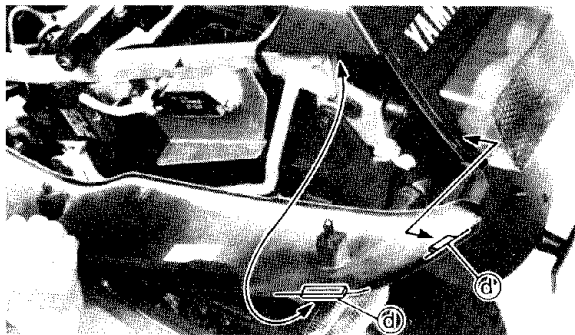
3. Remove:
  - Side covers (left and right) ①

\*\*\*\*\*

**Removal Steps:**

- Remove the screws ② .
- Unhook the projections ③ , ④ and ⑤ on the side cover from the grommets on the frame.
- Unhook the hooks ⑥ on the side cover from the slots in the trail cover.

\*\*\*\*\*



4. Remove:
  - Tail cover ①

