

Document Title: Hydraulic oil tank, description	Function Group: 911	Information Type: Service Information	Date: 12/15/2023
Profile: EWR170E Volvo			

Hydraulic oil tank, description

Showing All Profiles

Valid for serial numbers			
Model	Production site	Serial number start	Serial number stop
EWR150E Volvo			
EWR170E Volvo			

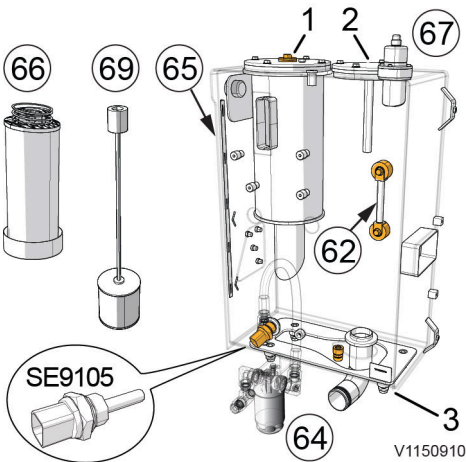


Figure 1

Hydraulic oil tank

1. Oil filler plug, and position for return oil filter
2. Position of suction strainer
3. Oil drain valve

The hydraulic oil tank is a welded sheet metal construction which stores the hydraulic oil and facilitates separation of impurities, water and air.

The hydraulic oil return filter (66) contains a bypass valve which opens when the filter is clogged and the oil returns directly to the tank without passing through the filter.

The oil level can be read off on the level indicator (62) when the machine is placed in a special position. See, [Hydraulic oil level, checking](#)

Maintenance information, see

[Hydraulic oil, changing](#)

[Hydraulic oil return filter, replacing](#)

[Hydraulic oil drain filter, replacing](#)

[Hydraulic oil tank breather filter, replacing](#)

Pos. no.	Designation
----------	-------------

62	Indicator, hydraulic oil level
64	Drain filter
65	Hydraulic oil tank
66	Return oil filter including bypass valve and spring
67	Air filter breather, see Hydraulic oil tank, releasing pressure
69	Suction strainer
SE9105	Temperature sensor, hydraulic oil Component list, sensors

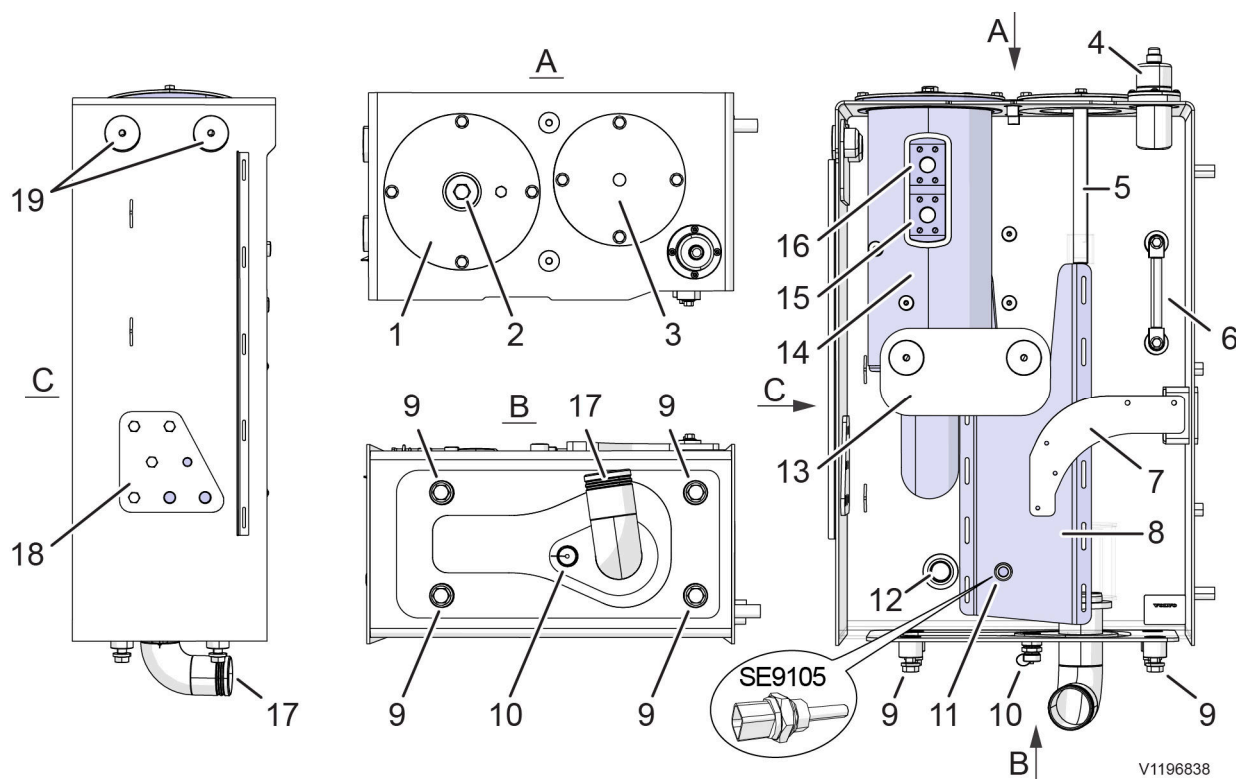


Figure 2
Hydraulic tank, views

1	Cover (hydraulic oil filter)	8	Internal separating plate	15	Connection port cooler return line
2	Oil filler plug	9	Fastening screws	16	Connection port main control valve return line
3	Cover (strainer)	10	Drain plug	17	Connection pump suction hose
4	Air filter breather	11	Bore for the sensor SE9105	18	Bores for servo return lines
5	Strainer	12	Bore for the return filter	19	Fastening points for step plate
6	Indicator, hydraulic oil level	13	Fastening plate for exhaust aftertreatment system		
7	Fastening plate engine fuel filter	14	Housing of the return oil filter		

Document Title: Hydraulic oil tank, releasing pressure	Function Group: 911	Information Type: Service Information	Date: 12/15/2023
Profile: EWR170E Volvo			

Hydraulic oil tank, releasing pressure

Showing All Profiles

Valid for serial numbers			
Model	Production site	Serial number start	Serial number stop
EW160E Volvo			
EW180E Volvo			
EW220E Volvo			
EW240E MH			
EWR150E Volvo			
EWR170E Volvo			

Release the tank pressure by pushing knob (1) a couple of seconds.
Repeat after a few seconds.

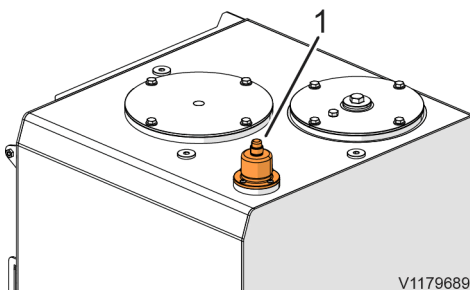


Figure 1

Hydraulic oil tank

1. Knob on air filter breather

Releasing the pressure of the hydraulic system, see [Elimination of trapped hydraulic pressure](#)