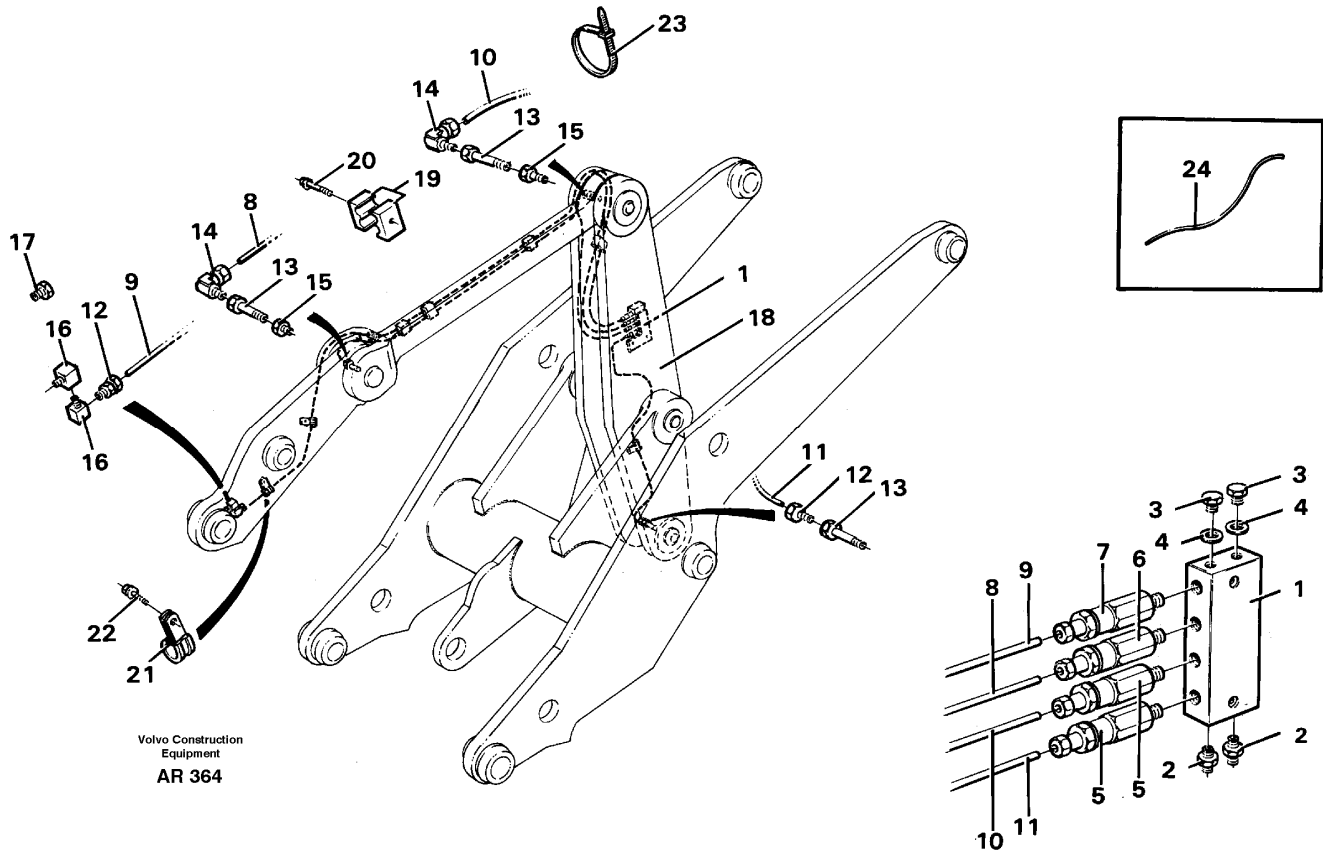


Date: 12/17/2024	Image id: AR364	Catalogue: 97789	Model: L50C
Brand: Volvo	Serial: 10967-12467, 35001-35010, 70001-70028	Group/Section: 993/300	Title: Distribution block, B3. 92752



Section option	Kit	Option description
VOE92752	VOE11701766	Automatic lube. system for grease, Nlgi no 2

Pos	Part	Q1	Q2	Q3	Q4	Q5	PS	Kit	Description	Option(s)	Remark
	VOE11701959	1							Distribution block		
1	VOE11702178	1							•Valve body		
2	VOE11700972	2							•Nipple		
3	VOE11702149	2							•Plug		
4	VOE11702148	2							•Gasket		
5	VOE11702151	2							•Dosage valve		NO 2
6	VOE11702152	1							•Dosage valve		NO 3
7	VOE11702155	1							•Dosage valve		NO 8
8	VOE11701958	1					SS		•Lubricant line		
9	VOE11701957	1					SS		•Lubricant line		
10	VOE11701960	1					SS		•Lubricant line		

11	VOE11701824	REQ						Pipe		L = 650
12	VOE11701843	2						Connector		
13	VOE11701850	3						Adapter		
14	VOE11701837	2						Connector		
15	VOE11701838	2						Adapter		
16	VOE11701845	2						Connector		
17	VOE11701827	1						Plug		
18		1						Link		See group 945
19	VOE11701854	4						Clamp		
20	VOE60112631	2						Hex. socket screw		(VOE959207)M6 x 30
	VOE940326	2						Hex. socket screw		M6 x 20
21	VOE952623	1						Clamp		ID = 6,4
	VOE952627	3						Clamp		ID = 12,7
22	VOE13948745	4						Screw		
23	VOE4881440	REQ						Cable tie		
24	VOE192598	REQ						Hose		Protection hose L = 1100