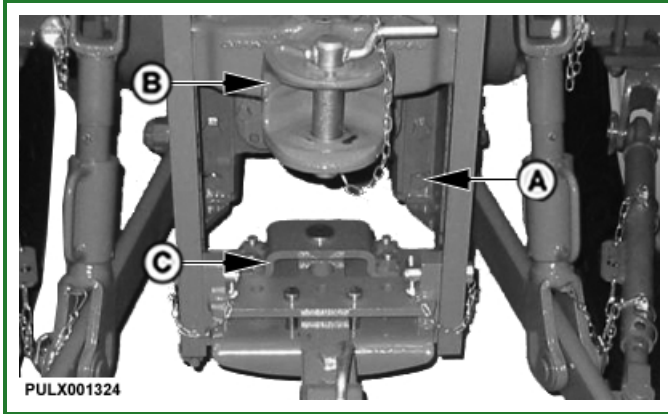
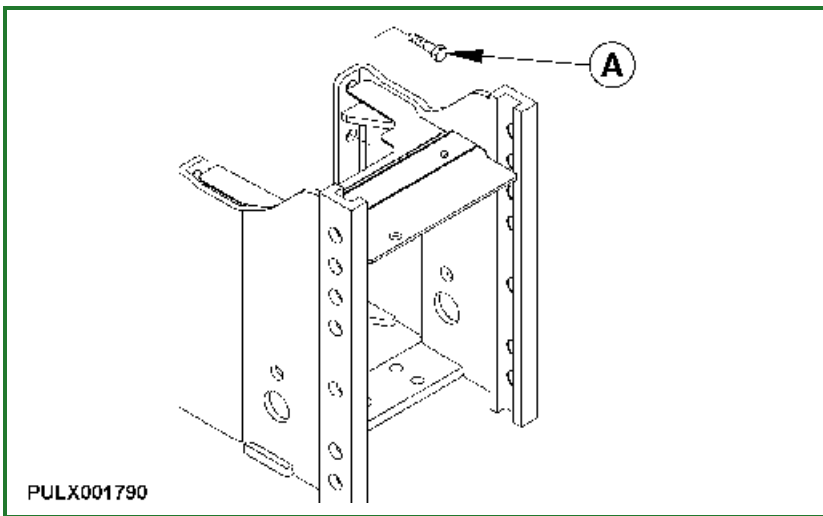


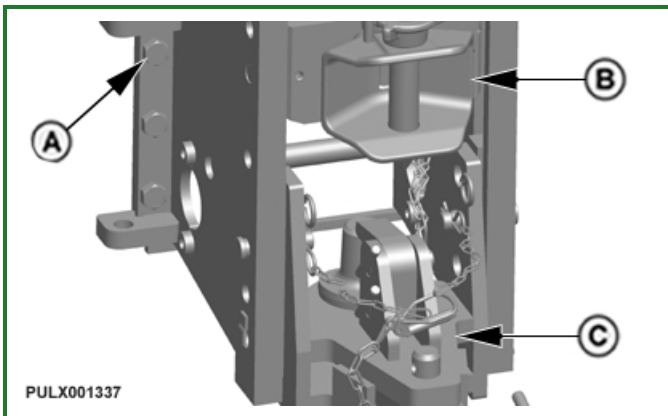
Install Guide Rails for Height-Adjustable Trailer Hitch



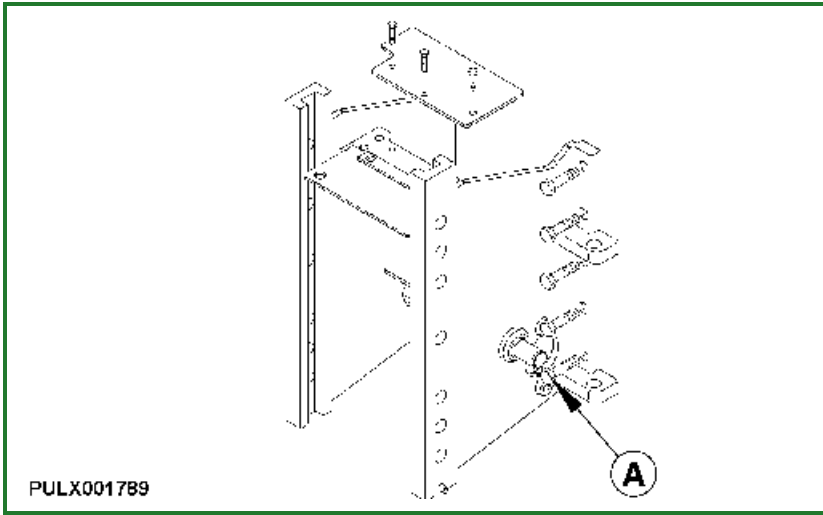
PULX001324-UN: Standard Tractors



PULX001790-UN: Standard Tractors



PULX001337-UN: F and V Tractors



PULX001789-UN: F and V Tractors

LEGEND:

A - Screws

B - Trailer Hitch

C - Tow Hook

Suspend the guide rails with a suitable lifting tackle.

Regardless of the guide rail version installed on the tractor, install guide rails and tighten screws (A) to specified torque.

Item	Measurement	Specification
Screws, Guide Rails to Differential Housing Torque		300 N·m 221 lb-ft

Install the trailer hitch (B) and/or the tow hook (C) on the guide rails.

Go to [Section_80:Group_20](#)

OULXA64,0002424-19-20091218