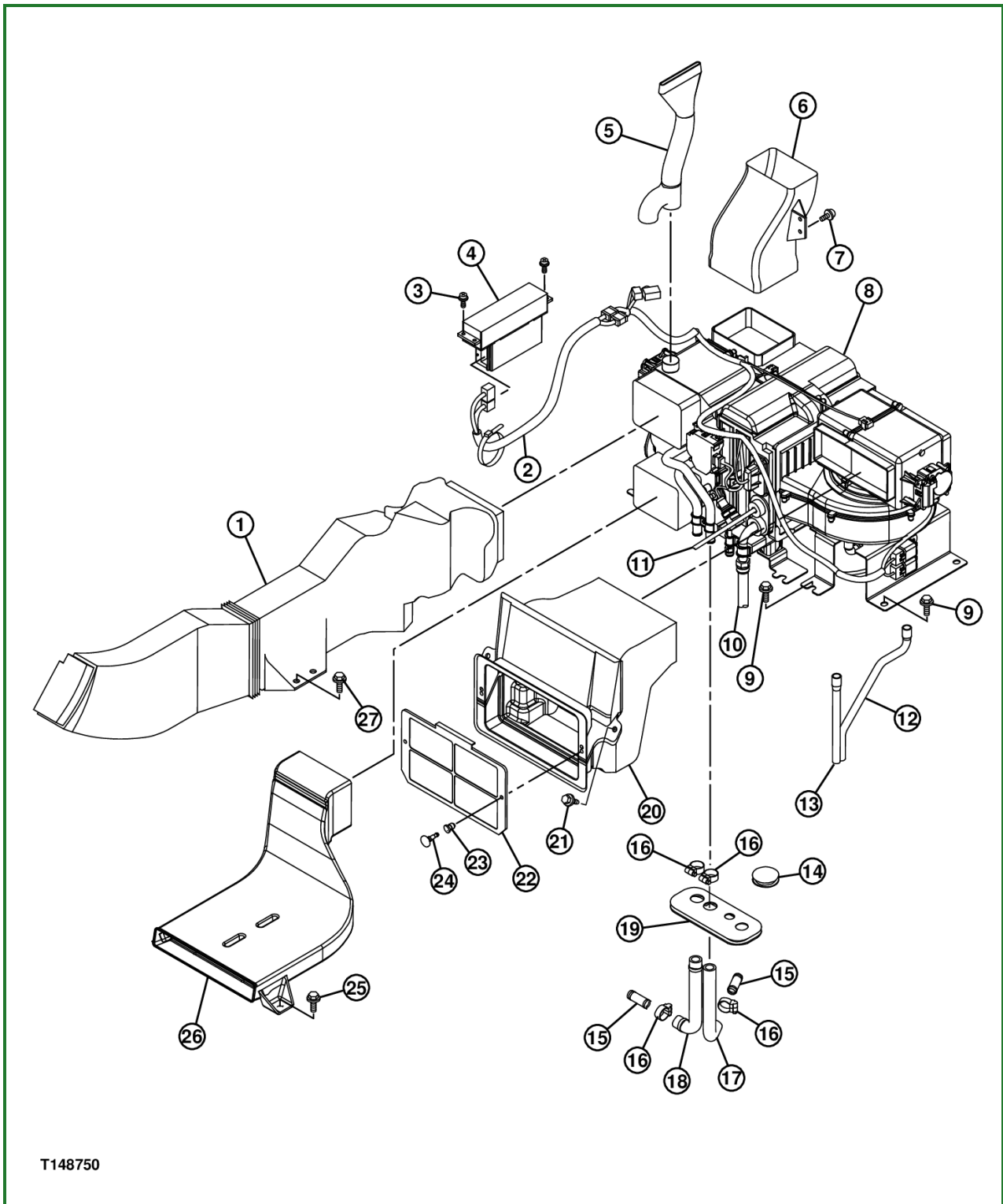


Air Conditioner and Heater Remove and Install



T148750

T148750-UN: Air Conditioner and Heater Parts

LEGEND:

- 1 - Duct
- 2 - Air Conditioner Harness
- 3 - Cap Screw (4 used)
- 4 - Air Conditioning Controller
- 5 - Duct
- 6 - Duct
- 7 - Cap Screw (2 used)
- 8 - Air Conditioner and Heater

- 9 - Cap Screw (6 used)
- 10 - Air Conditioner Low Pressure Hose
- 11 - Air Conditioner High Pressure Hose
- 12 - Hose
- 13 - Hose
- 14 - Bushing
- 15 - Nipple (2 used)
- 16 - Hose Clamp (4 used)
- 17 - Hose
- 18 - Hose
- 19 - Gasket
- 20 - Duct
- 21 - Cap Screw (2 used)
- 22 - Filter
- 23 - Clip
- 24 - Clip
- 25 - Cap Screw (2 used)
- 26 - Duct
- 27 - Cap Screw (2 used)

1. Drain coolant from radiator. Approximate capacity is 26.5 L (7.0 gal).

2.

NOTE:

Evaporator and heater core are integral parts of the air conditioner. If evaporator or heater core need replacement, replace entire air conditioner unit.

Perform Recover R134a Refrigerant . (Group 1830.)

3. Remove air conditioner and heater (8).

4. Replace parts as necessary.

5. Install air conditioner and heater.

6. Perform Evacuate R134a System and Perform Charge R134a System . (Group 1830.)

Go to [Section_18:Group_1830](#)

TX,18,SB628-19-20011203