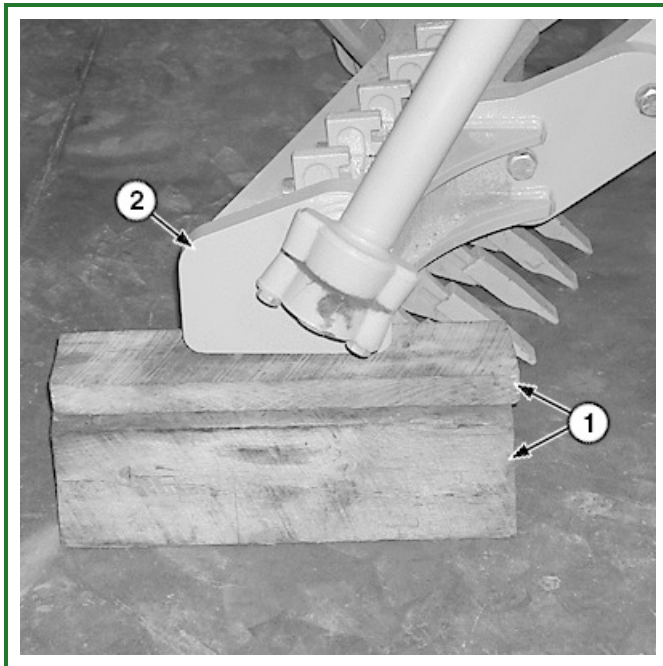


## Midmount Scarifier Remove and Install

1. Park machine on flat level surface and lower all attachments to ground.

2.



**TX1055394A-UN: Midmount Scarifier Resting on Blocks**

**LEGEND:**

- 1 - Wood Block
- 2 - Midmount Scarifier Tool Bar

Place wood blocks (1) under midmount scarifier tool bar (2) as shown.

3. Lower midmount scarifier onto wood blocks.

4.

**⚠ CAUTION:**

*To avoid injury from escaping fluid under pressure, stop engine and relieve the pressure in the system before disconnecting or connecting hydraulic or other lines. Tighten all connections before applying pressure.*

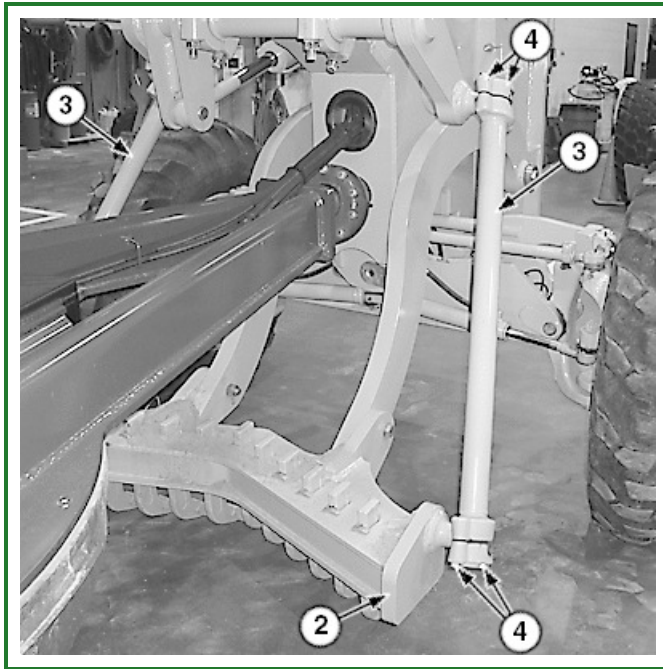
To relieve pressure in the system, slowly loosen fittings on hoses for scarifier fittings.

5. Turn battery disconnect switch to OFF position.
6. Remove midmount scarifier cylinder. See Midmount Scarifier Cylinder Remove and Install. (Group 4240.)

7.

**⚠ CAUTION:**

*Prevent possible crushing injury from heavy component. Use appropriate lifting device.*



**TX1055395A-UN: Midmount Scarifier Support Rods**

**LEGEND:**

- 2 - Midmount Scarifier Tool Bar
- 3 - Support Rod (2 used)
- 4 - Cap Screw (8 used)

Support support rods (3).

Item	Measurement	Specification
Support Rod Weight (approximate)	29 kg 64 lb.	

8.

**NOTE:**

*Record position of shims on support rod ends to aid in assembly.*

Remove cap screws (4) and remove support rod (3). Repeat procedure for opposite side.

9.

**⚠ CAUTION:**

***Prevent possible crushing injury from heavy component. Use appropriate lifting device.***