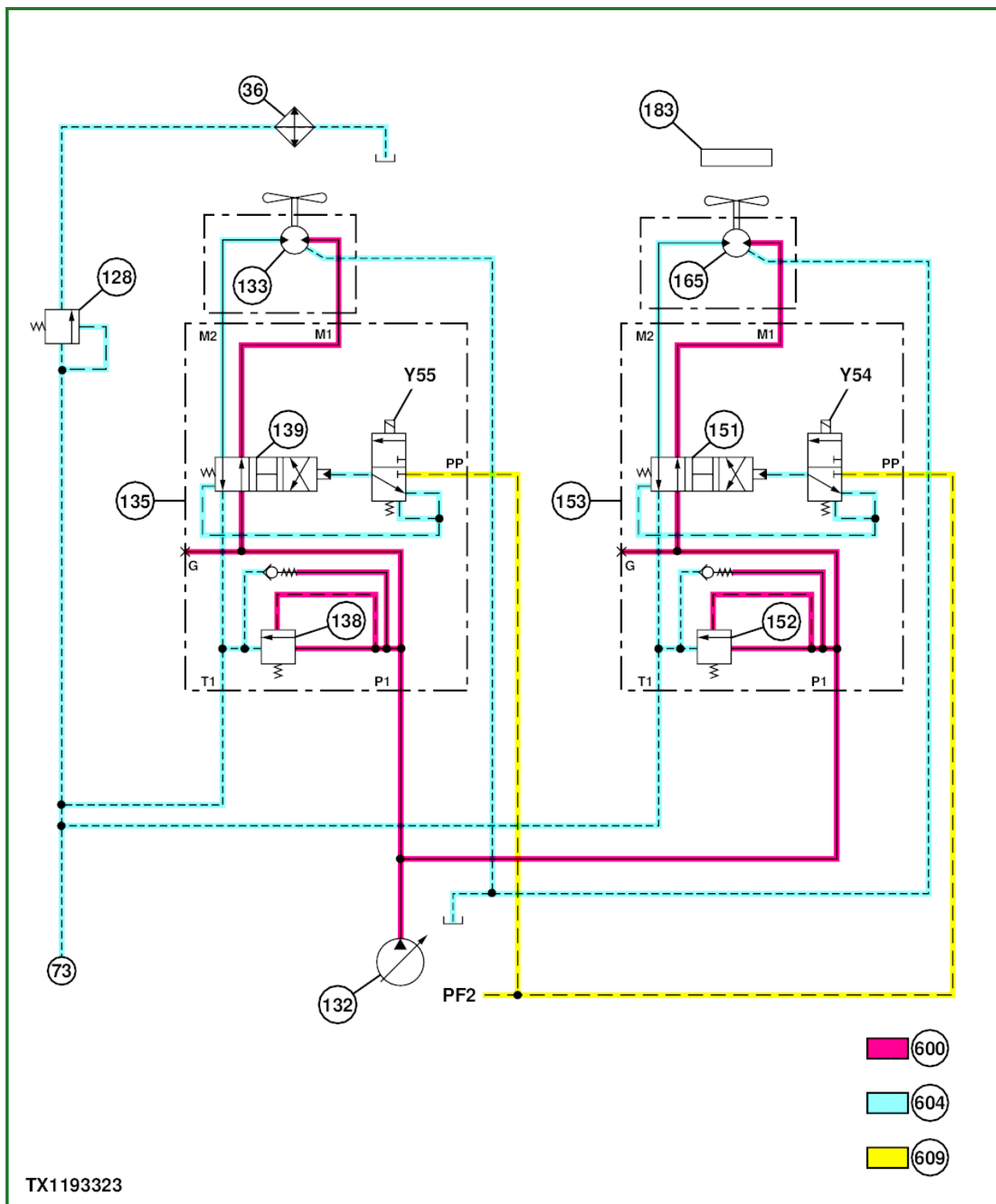


### Fan Drive Hydraulic System Schematic



TX1193323-UN: Fan Drive Hydraulic System Schematic

**LEGEND:**

- 36 - Hydraulic Oil Cooler
- 73 - From Right Control Valve (4-spool)
- 128 - Restriction Valve
- 132 - Fan Drive Pump
- 133 - Oil Cooler Fan Motor
- 135 - Oil Cooler Fan Speed and Reversing Control Valve
- 138 - Oil Cooler Fan Motor Circuit Relief Valve
- 139 - Fan Reversing Spool

- 151 - Radiator Reversing Spool
- 152 - Radiator Fan Motor Circuit Relief Valve
- 153 - Radiator Control Valve
- 165 - Radiator Fan Motor
- 183 - Radiator
- 600 - High-Pressure Oil
- 604 - Return Oil
- 609 - Pilot Oil
- PF2 - From Solenoid Valve Manifold (2-spool) (port PF)
- Y54 - Fan Reversing Solenoid 1
- Y55 - Fan Reversing Solenoid 2

Go to [Section\\_9025:Group\\_15](#)

DF89619,00B5B62-19-20150518