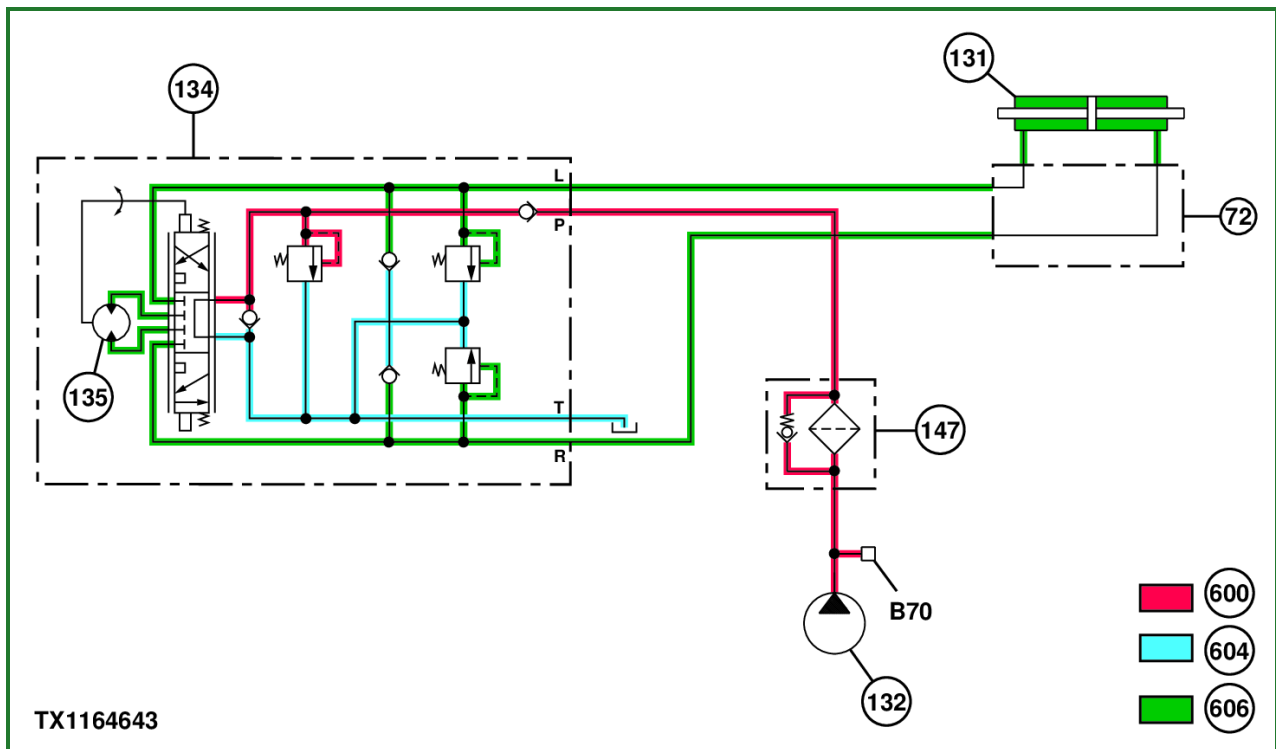


Steering System Diagram and Operation



TX1164643-UN: Steering System Diagram—Neutral Position

LEGEND:

- 72 - Center Joint
- 131 - Steering Cylinder
- 132 - Steering Pump
- 134 - Steering Valve
- 135 - Gerotor
- 147 - Steering Circuit Filter
- 600 - High-Pressure Oil
- 604 - Return Oil
- 606 - Trapped Oil
- B70 - Steering Pump Delivery Pressure Sensor (marked P4)

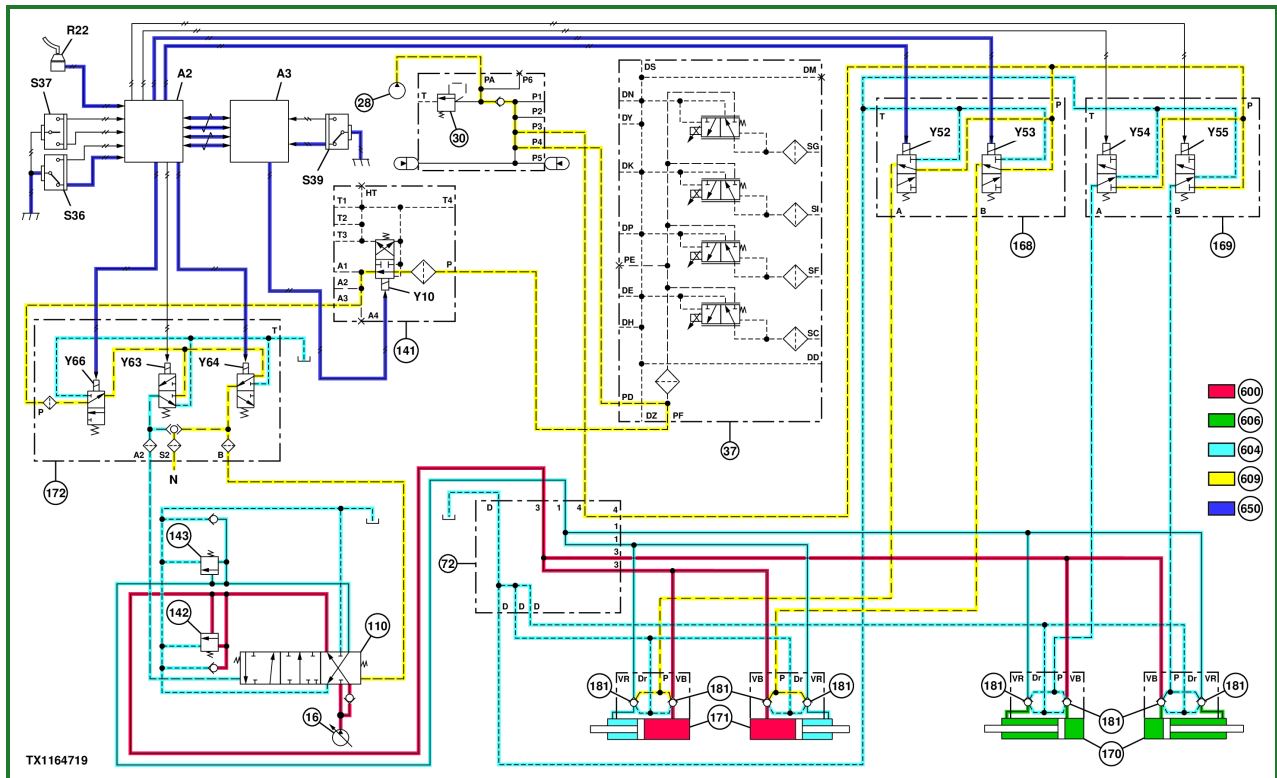
Supply flows from steering pump (132), through steering circuit filter (147), to the steering valve (134). The steering valve is actuated by movement of the steering wheel. Supply oil is routed from the steering valve to steering cylinder (131). The wheels are moved in the direction the steering wheel is turned. When steering valve is not actuated, supply oil is returned to tank.

For more information, see [Steering Valve Operation](#) . (Group 9025-05.)

Go to [Section_9025:Group_05](#)

DF89619,00B58F1-19-20140821

Blade or Outrigger System Diagram and Operation



TX1164719-UN: Blade or Outrigger Circuit Operation

LEGEND:

- 16 - Pump 2 (5-spool)
- 28 - Pilot Pump
- 30 - Pilot Pressure Regulating Valve
- 37 - Solenoid Valve Manifold
- 72 - Center Joint
- 110 - Blade or Outrigger Spool
- 141 - Pilot Shutoff Valve
- 142 - Blade or Outrigger Raise Circuit Relief and Anticavitation Valve
- 143 - Blade or Outrigger Lower Circuit Relief and Anticavitation Valve
- 168 - Rear Blade or Outrigger Solenoid Valve
- 169 - Front Blade or Outrigger Solenoid Valve
- 170 - Front Blade or Outrigger Cylinder (2 used)
- 171 - Rear Blade or Outrigger Cylinder (2 used)
- 172 - Blade or Outrigger Pilot Control Solenoid Valve
- 181 - Blade or Outrigger Cylinder Check Valve (8 used)
- 600 - High-Pressure Oil
- 604 - Return Oil
- 606 - Trapped Oil
- 609 - Pilot Oil
- 650 - Electrical Signal
- A2 - Option Controller (MC2)
- A3 - Main Controller (MCZ)
- R22 - Blade or Outrigger Control Lever
- S36 - Front and Rear Blade or Outrigger Switch
- S37 - Left and Right Blade or Outrigger Switch
- S39 - Pilot Disable Switch