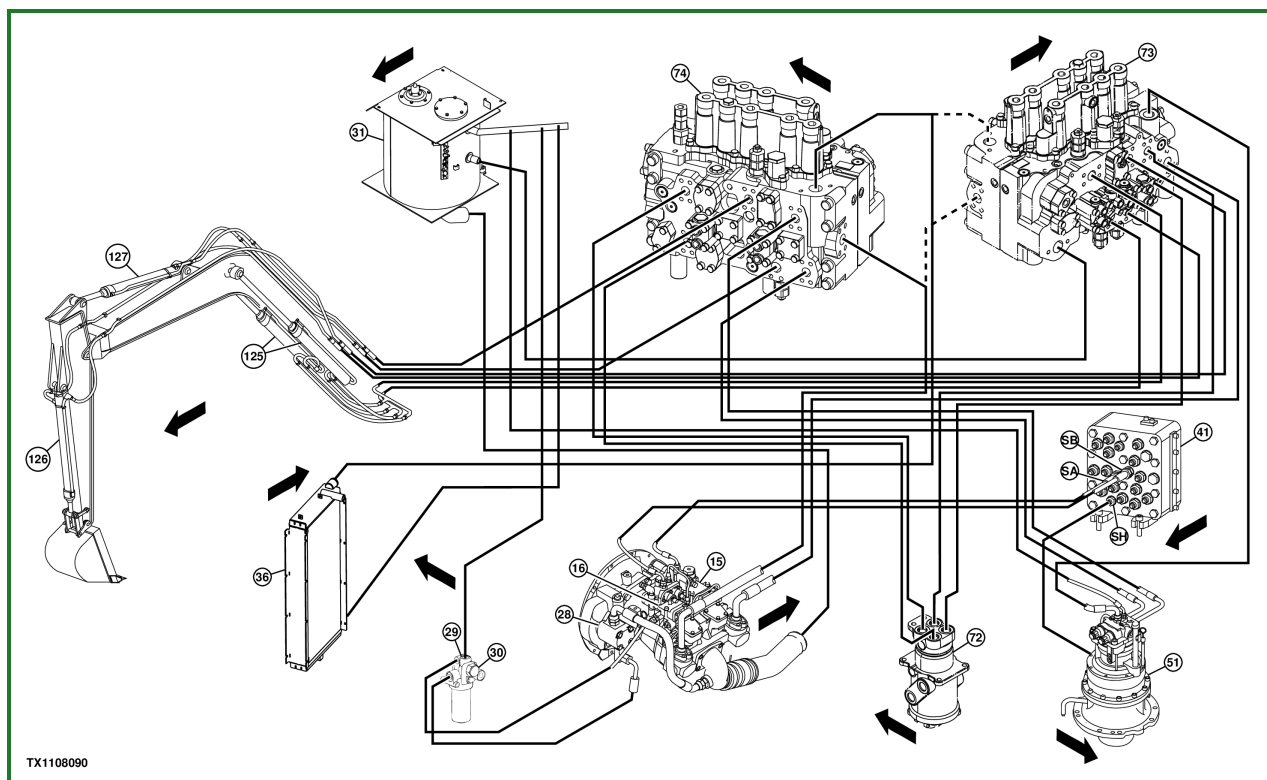


Hydraulic System Line Connections



TX1108090-UN: Hydraulic System Line Connections

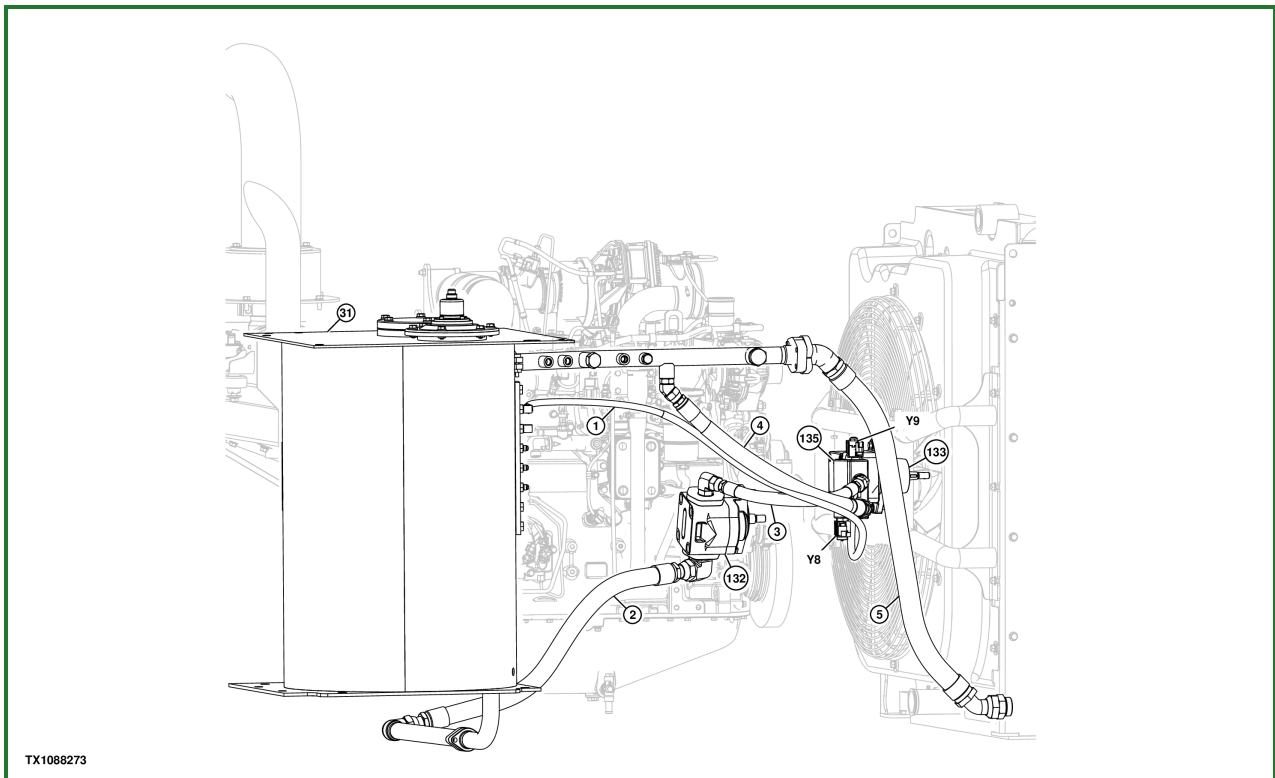
LEGEND:

- 15 - Pump 1
- 16 - Pump 2
- 28 - Pilot Pump
- 29 - Pilot Filter and Bypass Valve
- 30 - Pilot Pressure Regulating Valve
- 31 - Hydraulic Oil Tank
- 36 - Hydraulic Oil Cooler
- 41 - Pilot Signal Manifold
- 51 - Swing Device
- 72 - Center Joint
- 73 - Right Control Valve (4-spool)
- 74 - Left Control Valve (5-spool)
- 125 - Boom Cylinder (2 used)
- 126 - Bucket Cylinder
- 127 - Arm Cylinder
- SA - Pump 1 Flow Rate Pilot Valve Port
- SB - Pump 2 Flow Rate Pilot Valve Port
- SH - Swing Park Brake Release Port

Go to [Section_9025:Group_15](#)

JA66566,000167A-19-20120218

Fan Drive Hydraulic System Component Location



TX1088273-UN: Fan Drive Hydraulic System Component Location

LEGEND:

- 1 - Case Drain Line (fan drive motor to hydraulic oil tank)
- 2 - Supply Line (hydraulic oil tank to fan drive pump)
- 3 - Supply Line (fan drive pump to fan drive motor)
- 4 - Return Line (fan drive motor to hydraulic oil return manifold)
- 5 - Return Line (hydraulic oil cooler to hydraulic oil return manifold)
- 31 - Hydraulic Oil Tank
- 132 - Fan Drive Pump
- 133 - Fan Drive Motor
- 135 - Fan Speed and Reversing Control Valve (if equipped)
- Y9 - Reversing Fan Solenoid (if equipped)
- Y5005 - Variable Speed Fan Solenoid

Go to [Section_9025:Group_15](#)

JA66566,000167B-19-20120218