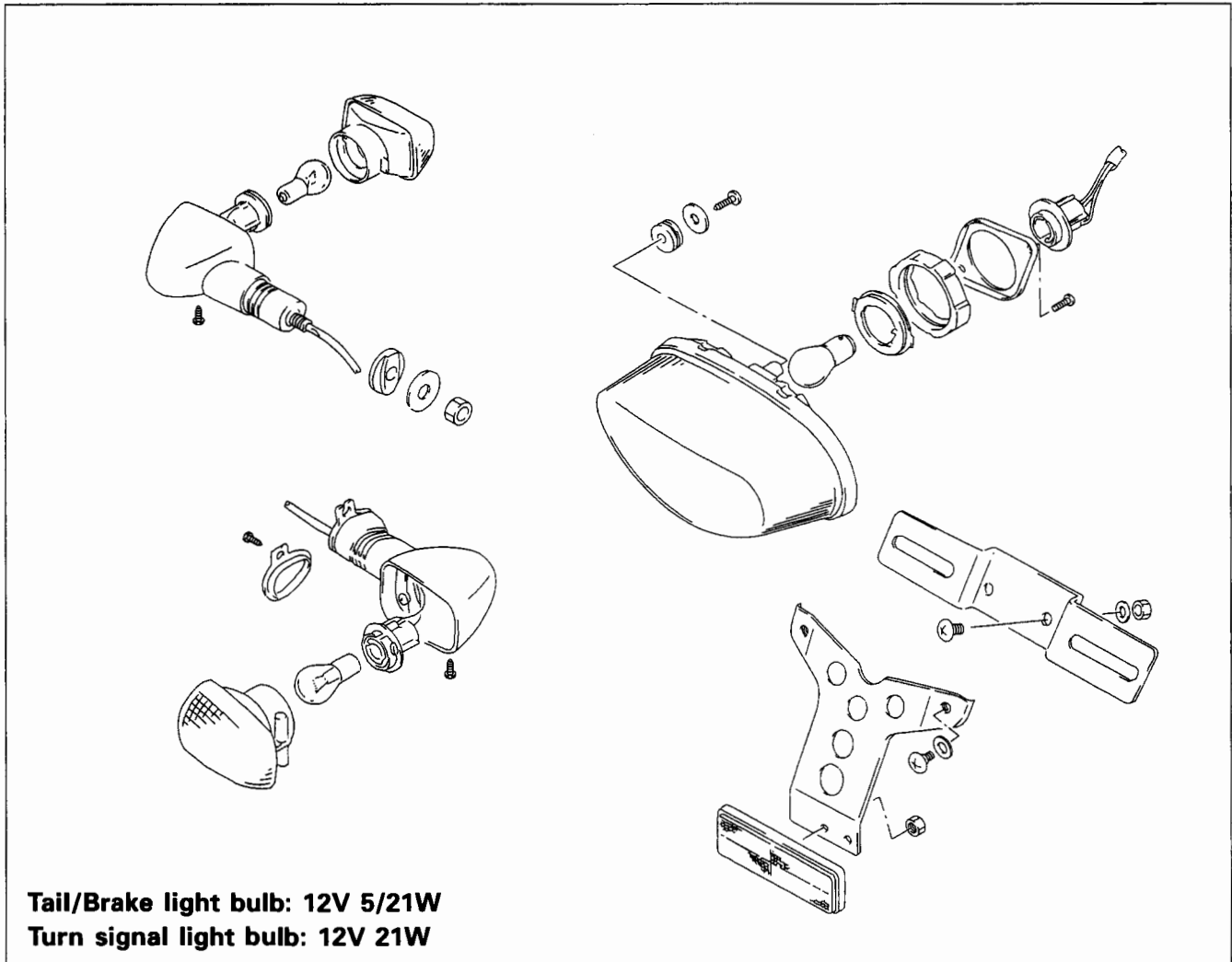


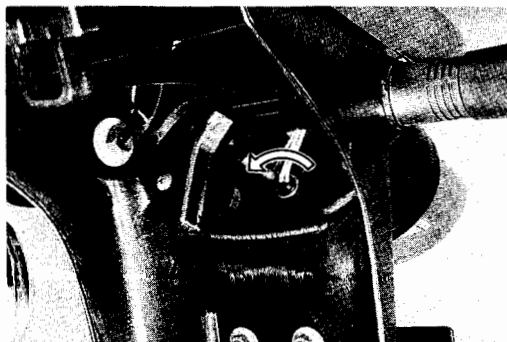
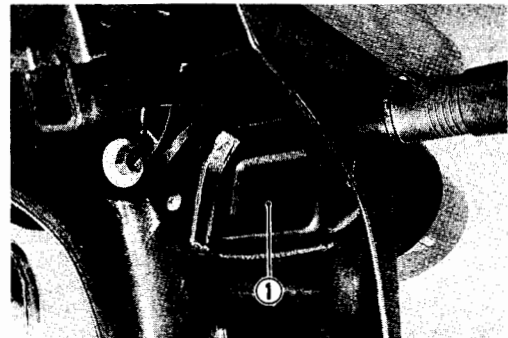
TAIL/BRAKE LIGHT, TURN SIGNAL LIGHT AND LICENSE PLATE LIGHT



BULB REPLACEMENT

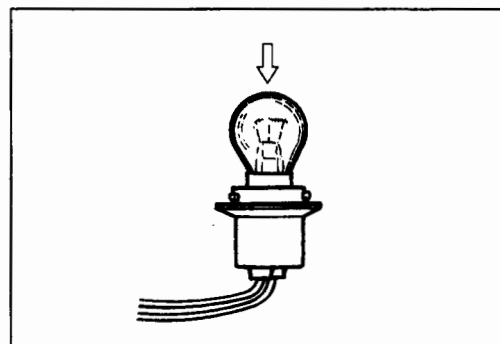
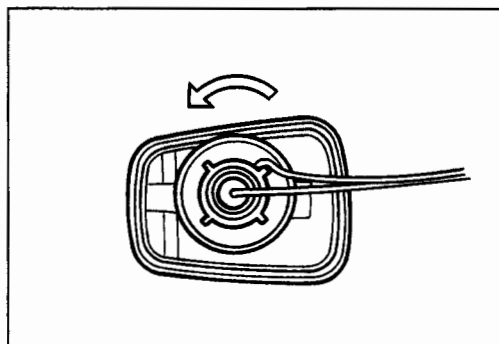
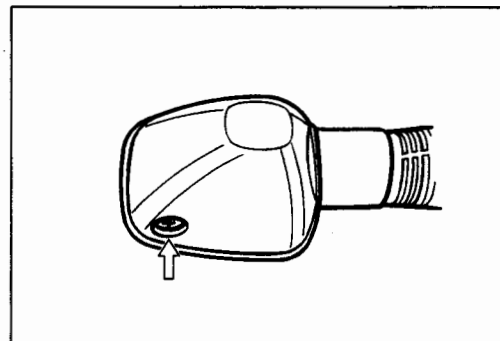
Tail/Brake light

- Remove the rubber cap ①.
- Turn the socket to the left and pull it out.
- Push in on the bulb, turn it to the left, and pull it out.



Turn signal light

- Remove the lens by removing the screw.
- Turn the socket to the left and remove it.
- Push in on the bulb, turn it to the left, and pull it out.

**TURN SIGNAL RELAY**

The turn signal relay ① is located under the seat.

If the turn signal light does not light. Inspect the bulb or repair the circuit connection.

If the bulb and circuit connection checked are correct, the turn signal relay may be faulty, replace it with a new one.

NOTE:

Be sure that the battery used is in full-charged condition.

