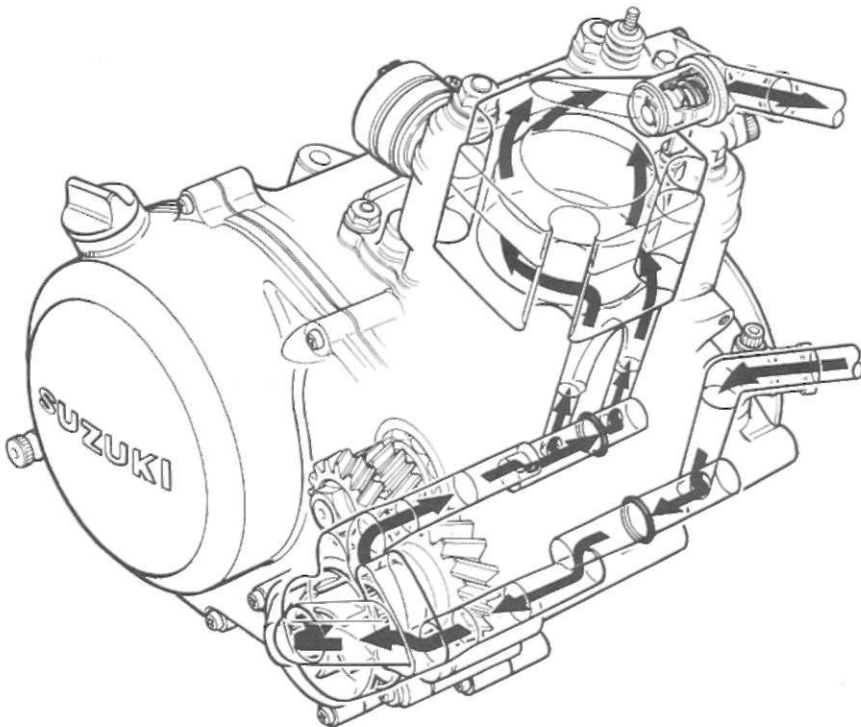
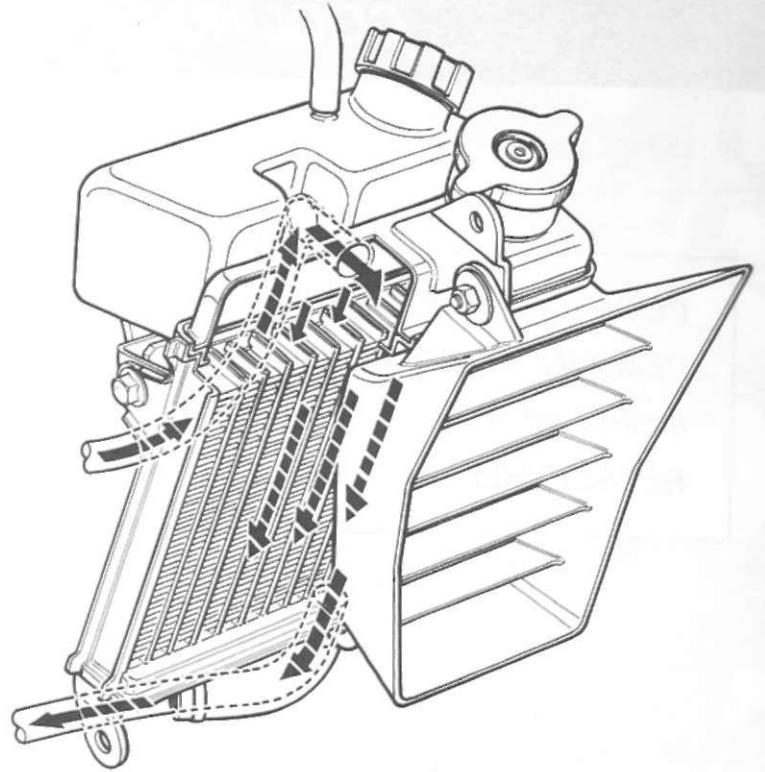


TS50 COOLING SYSTEM



INSPECTION

Check the pressure leakage of cooling system by using the radiator pressure tester.

If the leakage is found, replace or repair the leakage parts.

- * O-ring
- * Oil seal
- * Radiator hose
- * Radiator hose clamps

REMOVAL AND DISASSEMBLY

- Loosen the drain plug.
- Drain the engine oil.

Tightening torque	15 – 20 N·m (1.5 – 2.0 kg-m)
-------------------	---------------------------------

- Loosen the drain plug.
- Drain the coolant.

Tightening torque	12 – 16 N·m (1.2 – 1.6 kg-m)
-------------------	---------------------------------

- Remove the seat, frame covers and fuel tank.
- Disconnect the fuel hose.

