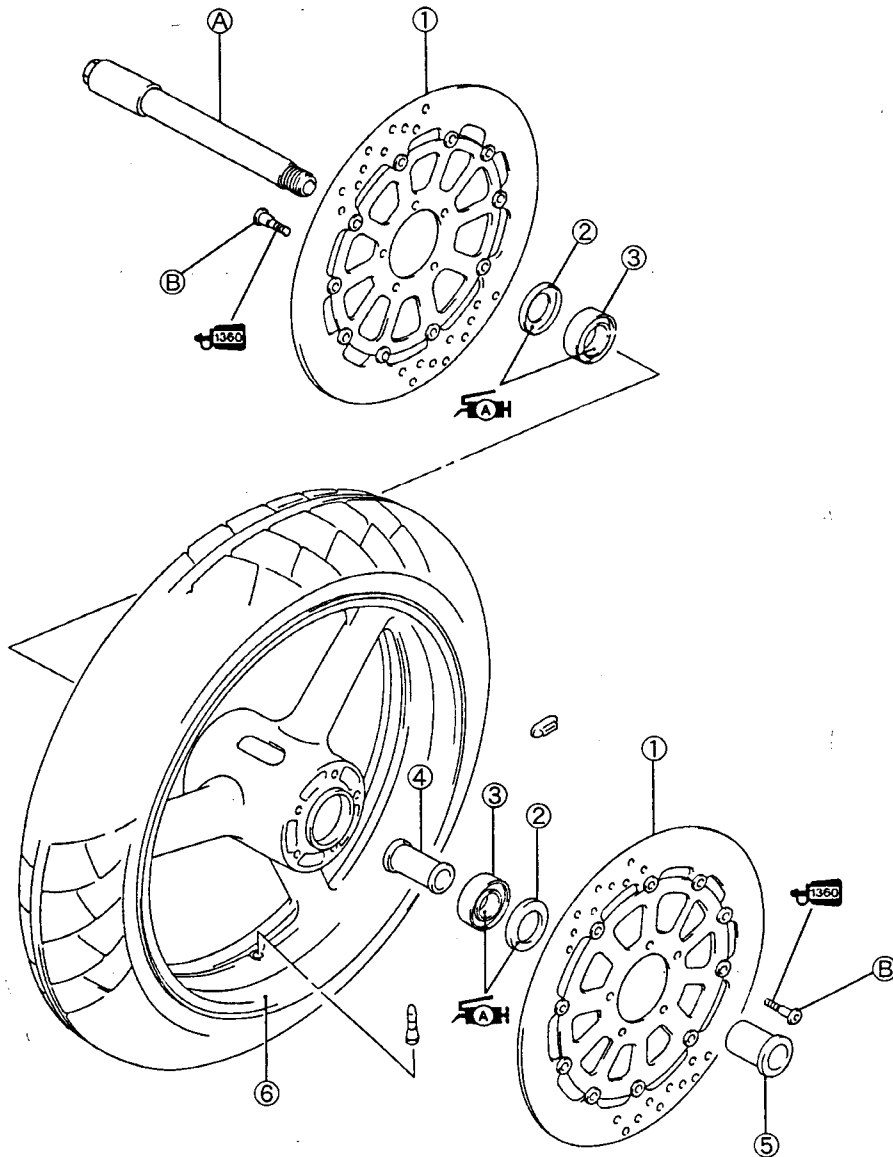


# FRONT WHEEL CONSTRUCTION

- ① Brake disc
- ② Dust seal
- ③ Bearing
- ④ Spacer
- ⑤ Spacer nut
- ⑥ Front wheel
  
- Ⓐ Front axle
- Ⓑ Brake disc bolt



ITEM	N·m	kg·m	lb·ft
Ⓐ	100	10.0	72.5
Ⓑ	22	2.2	16.5

Left ←

→ Right

39 N·m  
(3.9 kg-m)  
(28.0 lb-ft)

23 N·m  
(2.3 kg-m)  
(16.5 lb-ft)

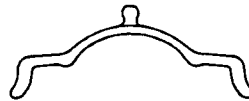
23 N·m  
(2.3 kg-m)  
(16.5 lb-ft)

39 N·m  
(3.9 kg-m)  
(28.0 lb-ft)

23 N·m  
(2.3 kg-m)  
(16.5 lb-ft)

100 N·m  
(10.0 kg-m)  
(72.5 lb-ft)

23 N·m  
(2.3 kg-m)  
(16.5 lb-ft)

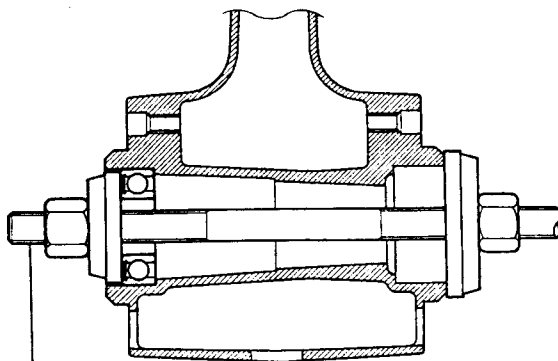


Left ←

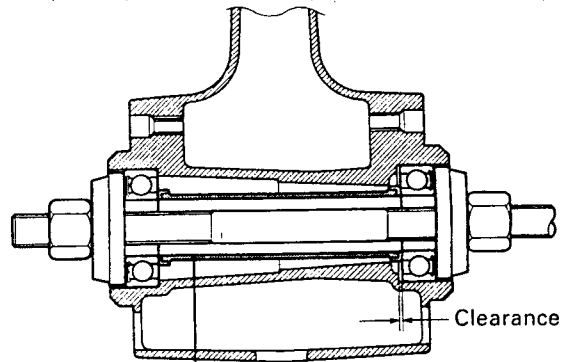
→ Right

Left ←

→ Right



Bearing installer



Spacer

Clearance