

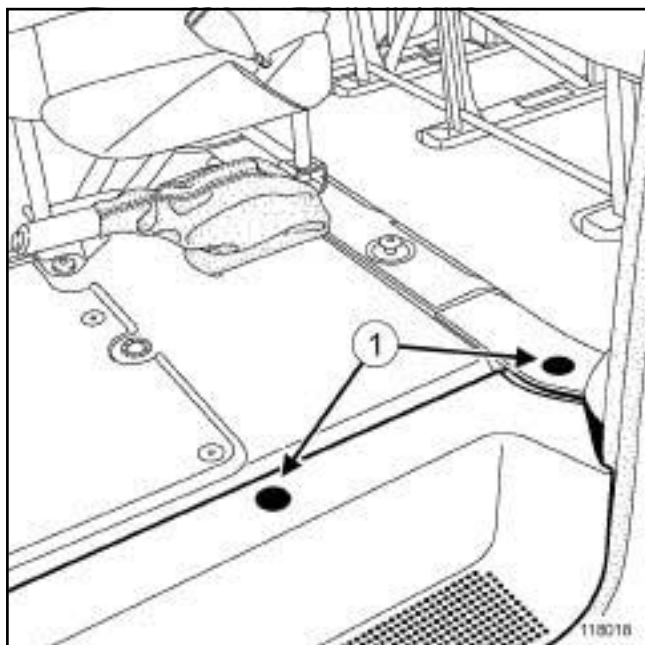
Front door sill lining: Removal - Refitting

DOCUMENT PHASE 2

REMOVAL

I - REMOVAL PREPARATION OPERATION

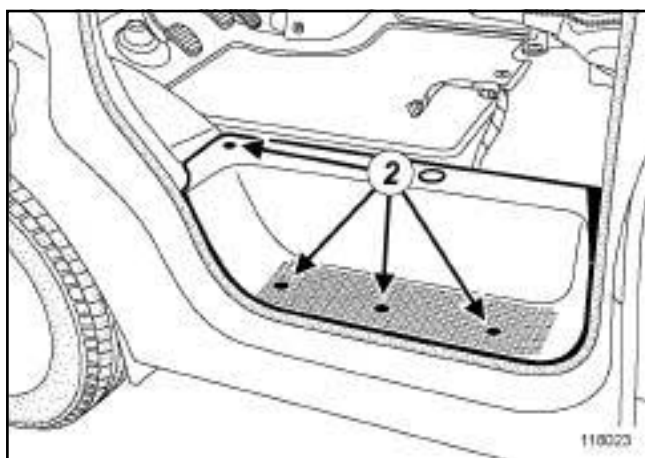
- Remove the front seat (see 75A, Front seat frames and mechanisms, Complete front seat: Removal - Refitting, page 75A-19) .



118018

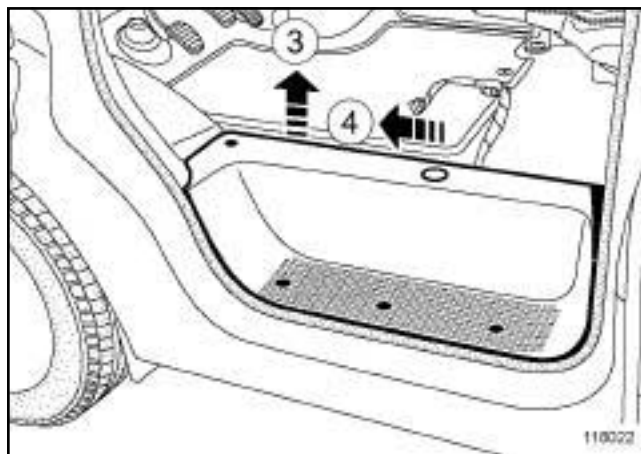
- Remove the seat mounting spacers (1) .

II - OPERATION FOR REMOVAL OF PART CONCERNED



118023

- Remove the bolts (2) .



118022

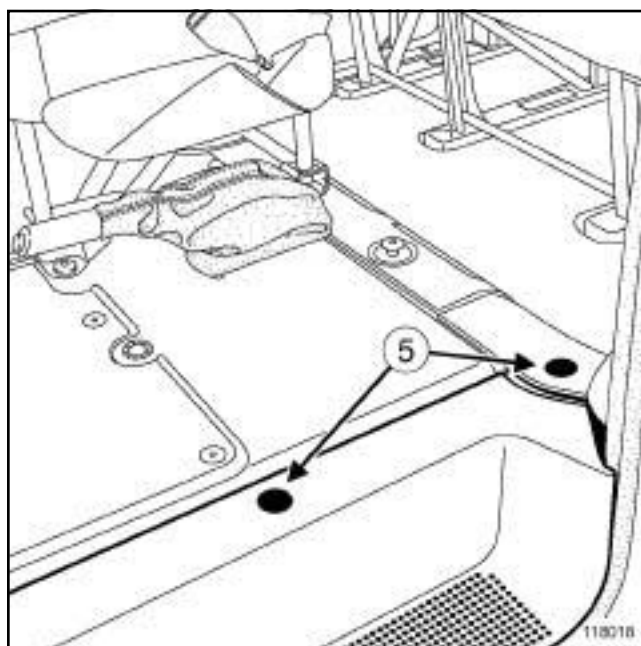
- Remove the door sill lining at (3) and (4) .

REFITTING

I - REFITTING OPERATION FOR PART CONCERNED

- Refit:
 - the front door sill lining,
 - the bolts (2) .

II - FINAL OPERATION



118018

- Refit:
 - the seat mounting spacers (5) ,

DOCUMENT PHASE 2

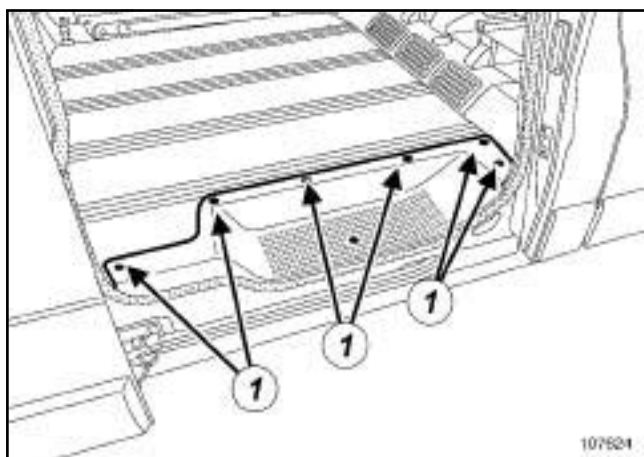
- the front seat (see **75A, Front seat frames and mechanisms, Complete front seat: Removal - Refitting**, page **75A-19**) .

REMOVAL

I - REMOVAL PREPARATION OPERATION

- Remove (depending on equipment) the two rear bench seats (see **76A, Rear seat frames and mechanisms, Complete rear bench seat: Removal - Refitting**, page **76A-12**) .

II - OPERATION FOR REMOVAL OF PART CONCERNED



107624

- Remove:
 - the bolts (1) ,
 - the rear door sill lining.

REFITTING

I - REFITTING PREPARATIONS OPERATION

- Refit:
 - the rear door sill lining,
 - the bolts (1) .

II - FINAL OPERATION.

- Refit (depending on equipment) the two rear bench seats (see **76A, Rear seat frames and mechanisms, Complete rear bench seat: Removal - Refitting**, page **76A-12**) .

BODY INTERNAL TRIM

C-pillar lower trim: Removal - Refitting

71A

J83, and 6/8 SEAT MINIBUS

Essential special tooling

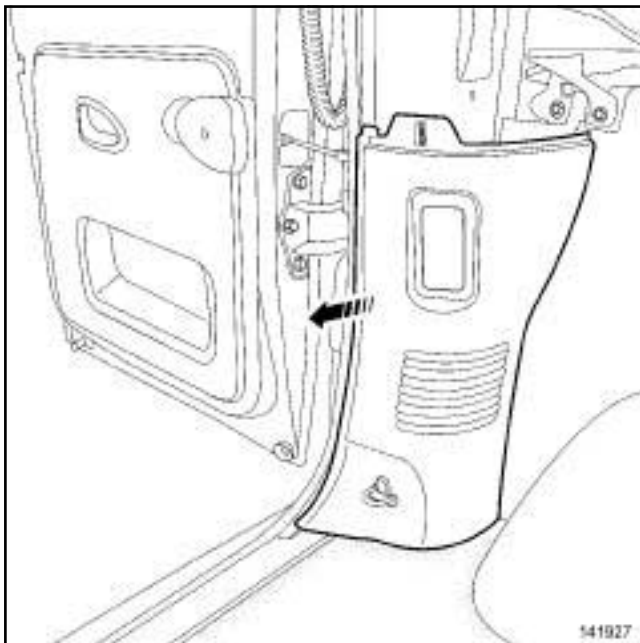
Car. 1363 Set of trim removal levers.

REMOVAL

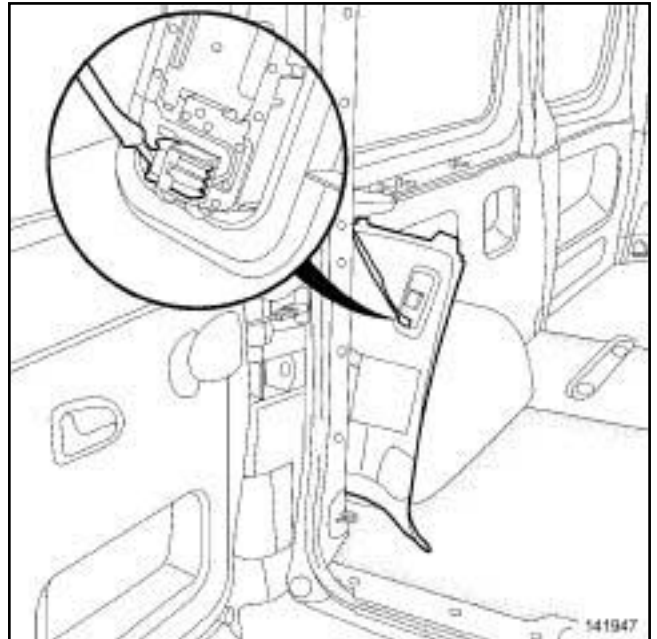
I - REMOVAL PREPARATION OPERATION

- ❑ Remove the upper body trim (see 71A, **Body internal trim, Upperbody trim: Removal - Refitting**, page 71A-15) .

II - OPERATION FOR REMOVAL OF PART CONCERNED



- ❑ Unclip the C-pillar lower trim using the tool (**Car. 1363**).



- ❑ Disconnect the luggage compartment light connector.

REFITTING

I - REFITTING OPERATION FOR PART CONCERNED

- ❑ Connect the luggage compartment light connector.
- ❑ Clip on the C-pillar lower trim.

II - FINAL OPERATION

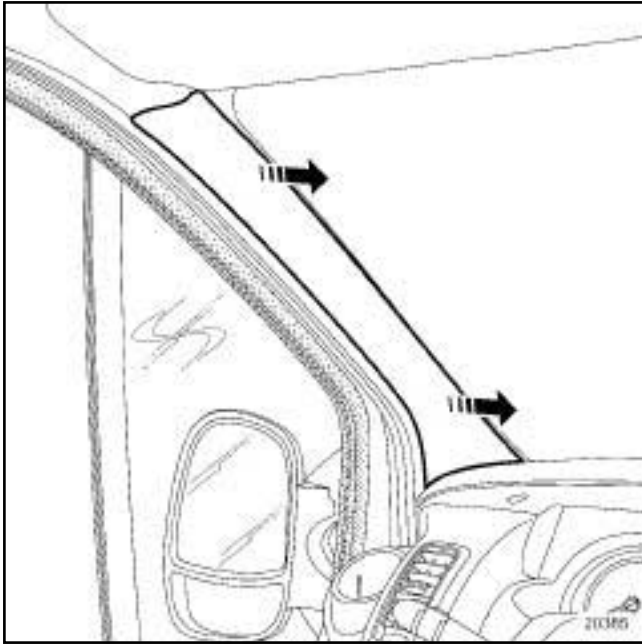
- ❑ Refit the upper body trim (see 71A, **Body internal trim, Upperbody trim: Removal - Refitting**, page 71A-15) .

BODY INTERNAL TRIM

A-pillar trim: Removal - Refitting

71A

REMOVAL



20385

- Partially remove the front door seal.
- Unclip the windscreen pillar trim.

REFITTING

- Clip on the windscreen pillar trim.
- Refit the front door seal.

Upperbody trim: Removal - Refitting

J83, and 6/8 SEAT MINIBUS –

Tightening torques

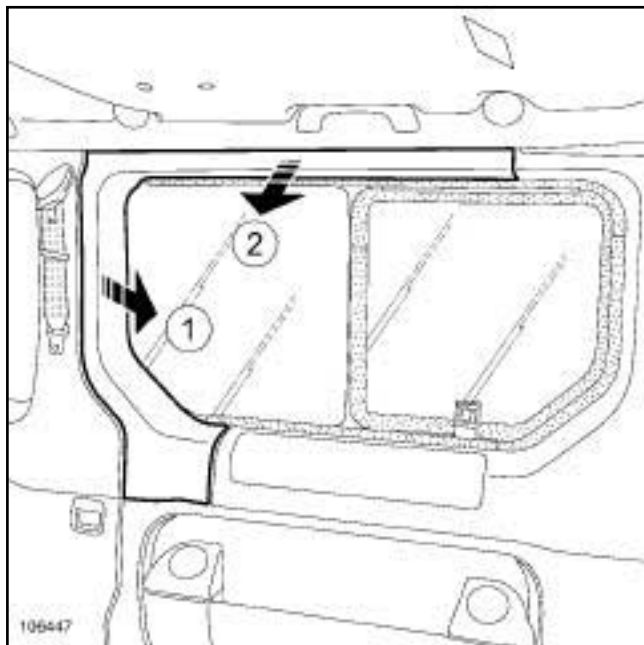
bolt of the seat belt return mechanism	37 N.m
--	--------

REMOVAL

I - REMOVAL PREPARATION OPERATION

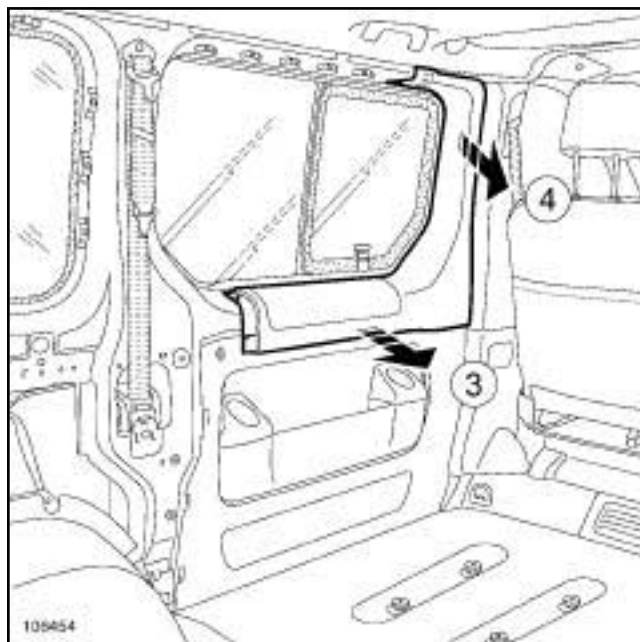
- Remove the two complete rear bench seats (see **76A, Rear seat frames and mechanisms, Complete rear bench seat: Removal - Refitting**, page **76A-12**).

II - OPERATION FOR REMOVAL OF PART CONCERNED



106447

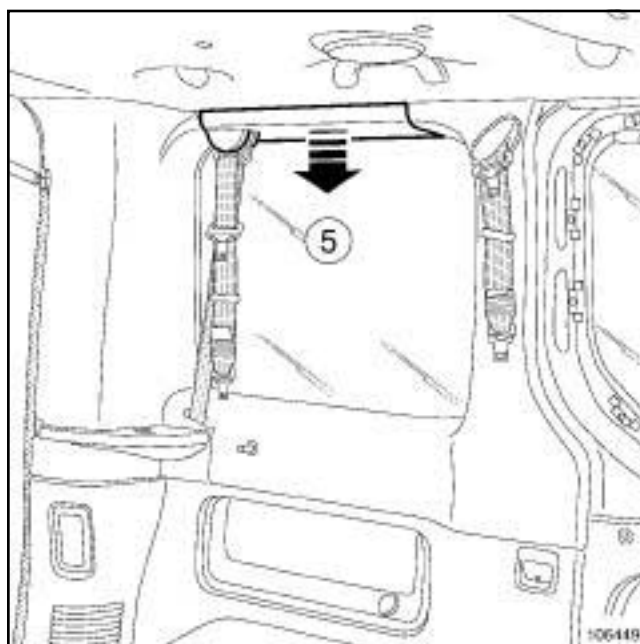
- Unclip the upper body central trim assembly at (1) and (2).



106454

- Unclip the upper body front trim assembly at (3) and (4).

RENAULT BRAND



106449

- Unclip the upper body top trim at (5).