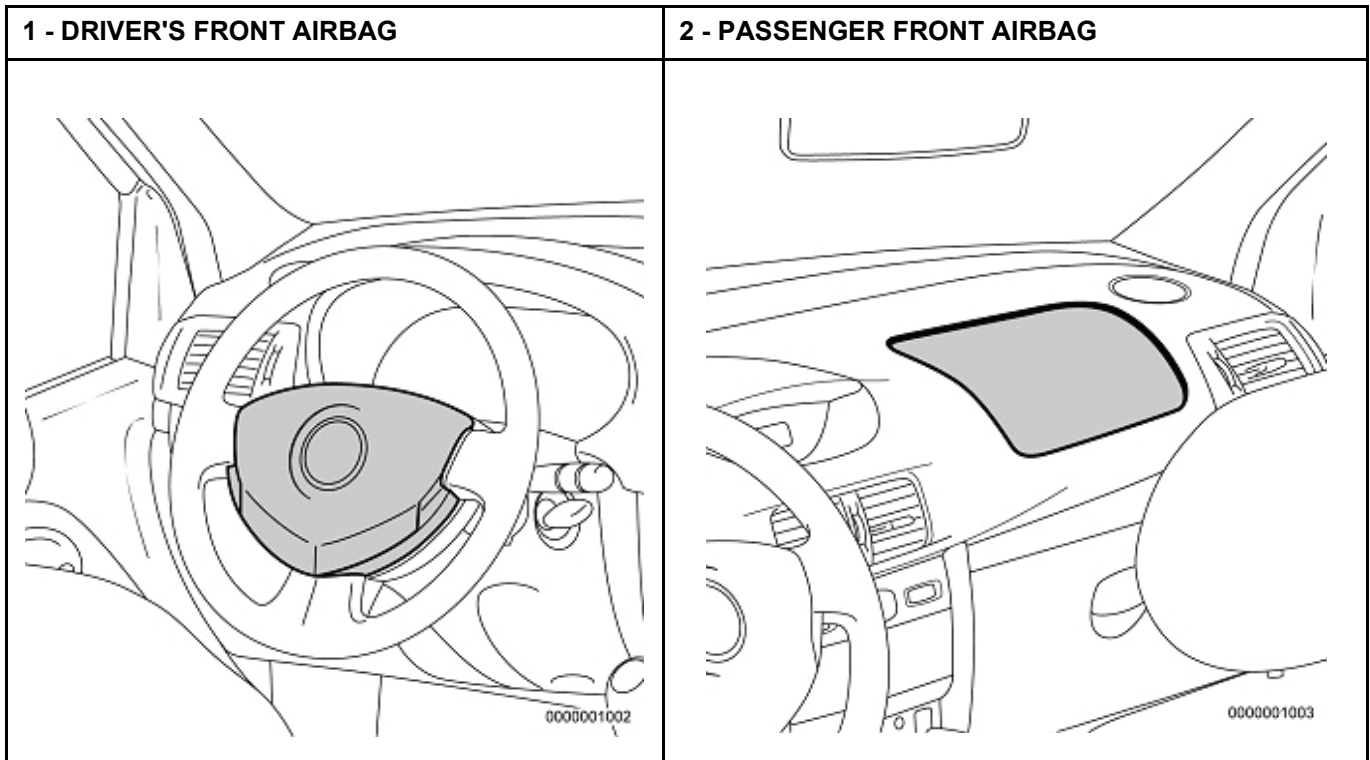


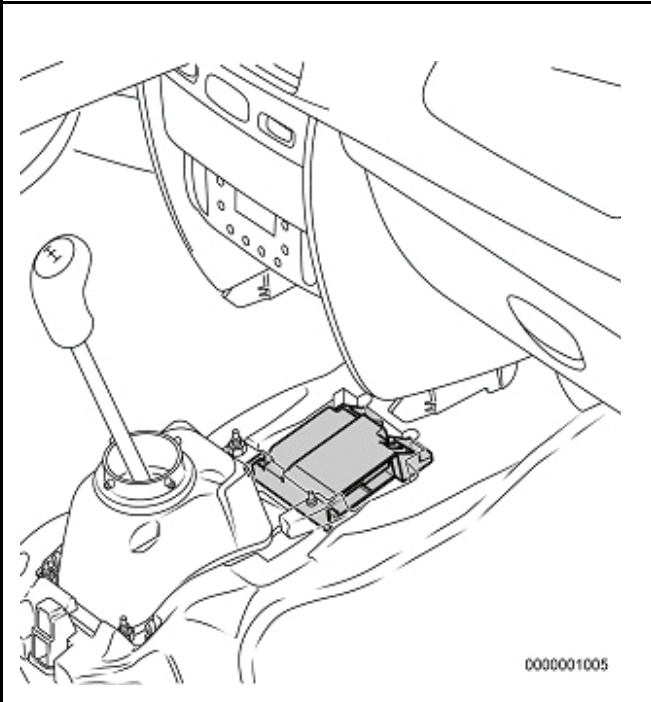
1. LIST OF COMPONENTS

Number	Description
1	Driver's frontal airbag
2	Passenger frontal airbag
3	Airbag computer
4	Pretensioner

2. LOCATION OF COMPONENTS



3 - AIRBAG COMPUTER



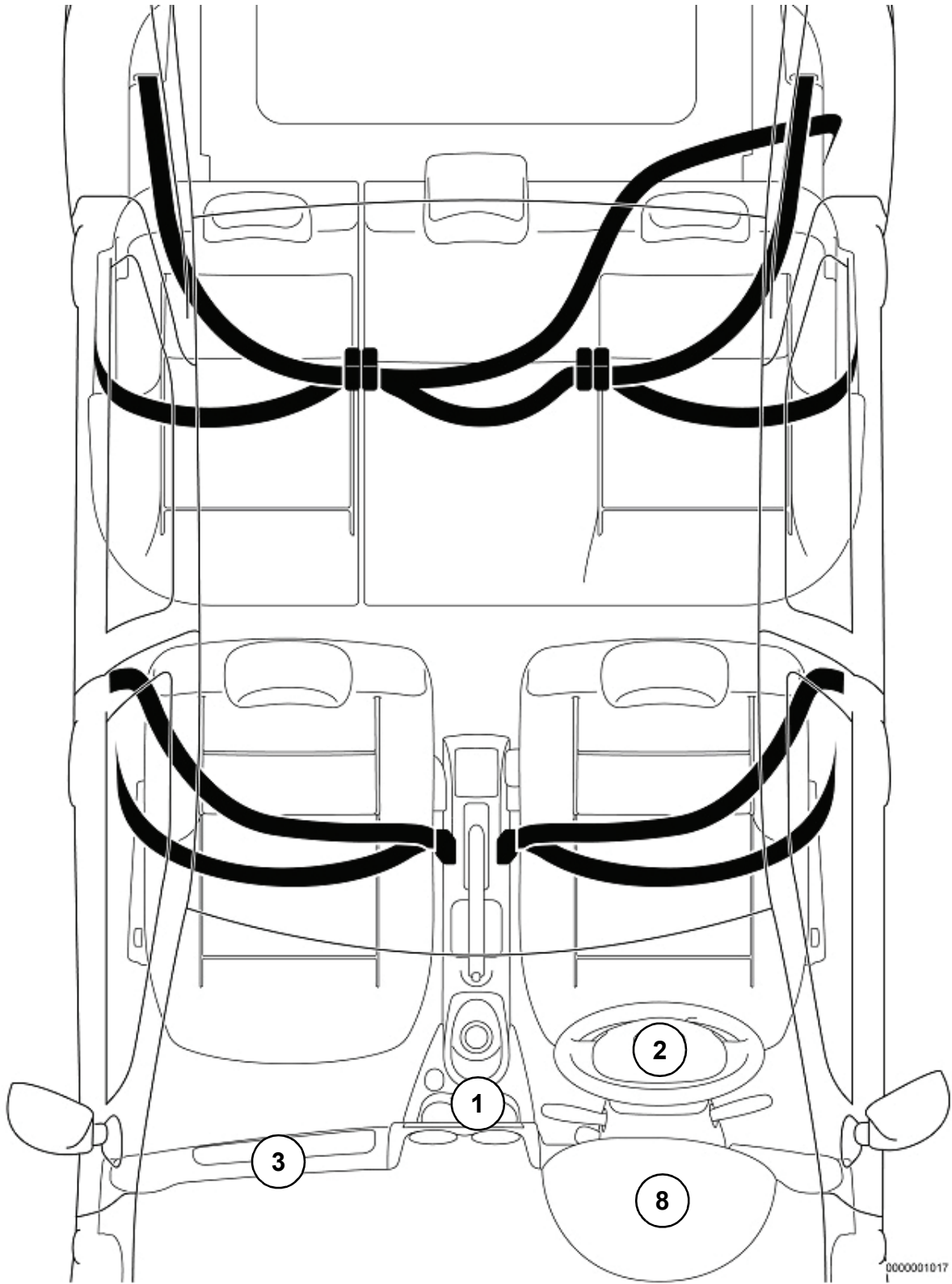
4 - PRETENSIONER



System outline

Symbol	Description
1	Airbag computer
2	Driver's frontal airbag
3	Front passenger frontal airbag
6	Driver's front seatbelt pretensioner
7	Passenger front seatbelt pretensioner
8	Instrument panel
15	Buzzer (audible warning function)

Passive Safety Architecture – Computer with 4 trigger lines.



Driver's front airbag.

The role of the driver's front airbag is to protect the driver's head in case of frontal impact.

Passenger front air bag.

The role of the passenger front airbag is to protect the front passenger's head in case of frontal impact.

Airbag computer.

The role of the airbag computer is to take control of all of the vehicle's restraint devices intended to ensure occupant protection (driver, front and rear passengers).