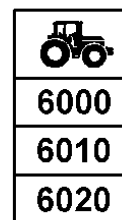
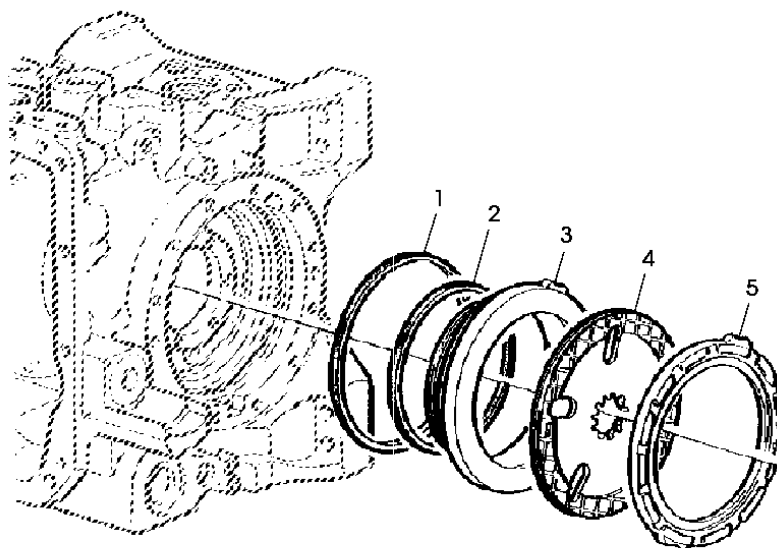


BRAKE DISK

PY001601 -UN-

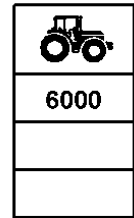
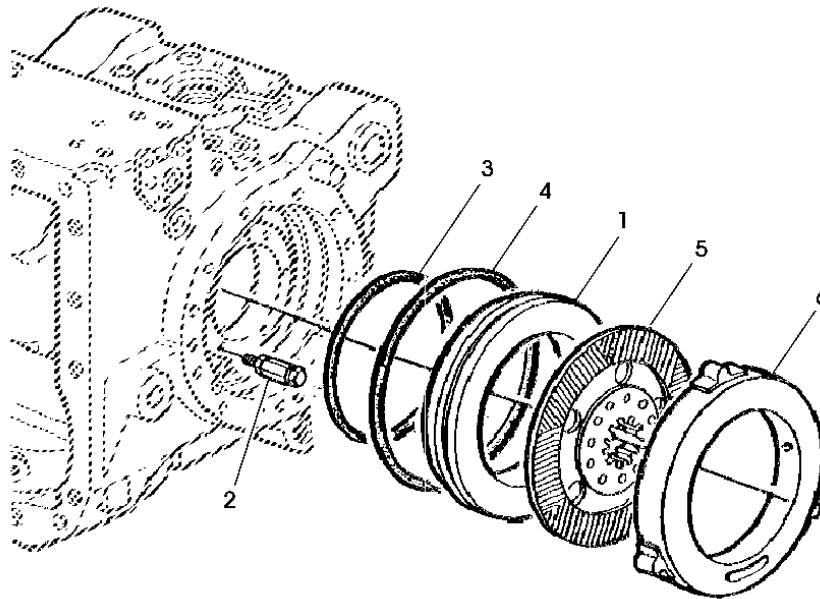


PY001601

KEY	PART NO.	PART NAME	QTY.	SERIAL NO.	REMARKS
				6 6	
				8 9	
				X X	
				X X	
1	R122850	SEAL	2	X X	
2	R126399	SEAL	2	X X	
3	R125127	PISTON	2	X X	
4	RE292445	BRAKE DISK	2	X X	(SUB FOR RE70175, RE64066, RE160072, RE186966)
5	R125128	PLATE	2	X X	

BRAKE DISK

PY011739 -UN-



PY011739

KEY	PART NO.	PART NAME	QTY.	TRACTOR SERIAL NO.	6 6 5 6 0 0 6 0	REMARKS
1	L75648	PISTON	2	-165095	X X	
	L111978	PISTON	2	165096-	X X	
2	AL174737	COMPRESSION SPRING	6	-165095	X X	(SUB FOR AL38179, AL115254 APPL)
	AL115253	COMPRESSION SPRING	6	165096-	X X	(SUB FOR AL82308)
	AL115529	SPRING	6		X X	FOR AL115570
3	L56243	O-RING	2		X X	
4	L56246	O-RING	2		X X	
5	AL171954	BRAKE DISK	2	-165095	X X	(SUB FOR AL111498, AL159761, AL168781)
	AL171955	BRAKE DISK	2		X X	(A) (B) TK= 5.9MM (SUB FOR AL112982, AL159762, AL168782)
6	L114091	BRAKE ACTUATING DISK	2	-195231	X X	TK=21.5MM
	L114053	DISK	2	195232-	X X	TK= 22MM
	L114053	DISK	2		X X	(C) TK= 22MM

(A) FOR HEAVY-DUTY CONDITIONS

(B) NOT FOR ITALY AND SPAIN

(C) WITH DIFFERENTIAL-HOUSING CONVERSION TO AL115570 (MARKED L114865)