

Battery

⚠ CAUTION:

Prevent possible injury or transmitter damage. Do not use in temperatures below -30°C (-22°F) or temperatures above 60°C (140°F). Do not immerse battery pack in water. Store in a cool, dry place. Do not leave near a heat source. Do not discard battery pack in a fire. Do not leave battery pack in direct sunlight or in a vehicle during hot weather. Fire or explosion could occur. Do not short circuit battery pack by connecting positive and negative battery terminals. Do not store or transport battery pack with metal objects that could cause a short circuit. If battery pack leaks and comes into contact with skin or eyes, rinse with clean water and seek immediate medical attention.

IMPORTANT:

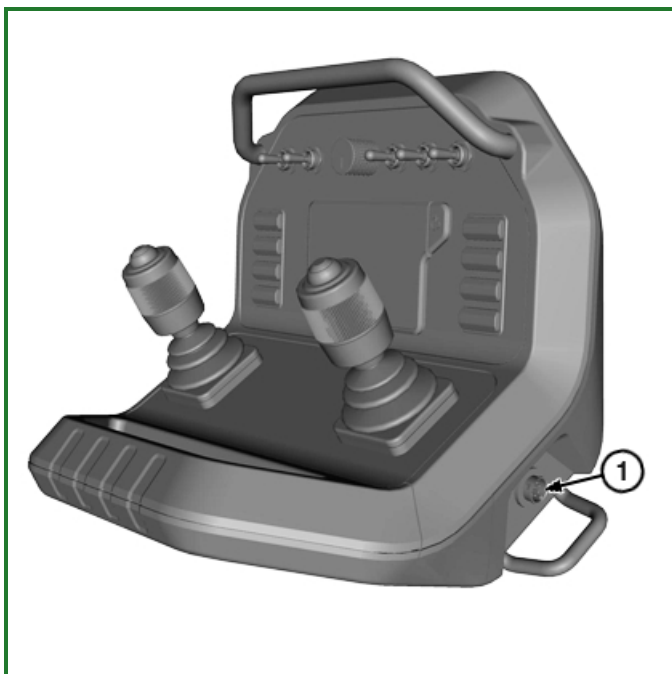
Do not strike or puncture battery pack. Do not use in an area with high static electricity or strong magnetic fields. Battery pack safety devices may be damaged. If battery pack gives off odor, generates heat, or becomes deformed or discolored, remove from transmitter immediately.

The remote control unit is equipped with a Lithium Iron Phosphate 3.2 volt, 32 Wh battery.

Operation time on a new, fully charged battery is approximately 18 hours.

NOTE:

Operation time is dependent on several factors. Runtimes may vary dependent on specific usage.



TX1235581A-UN: Battery Charging Port

LEGEND:

1 - Battery Charging Port

Upon depletion of battery, the remote control transmitter battery can be recharged via the battery charging port (1). A 4-hour charge time is expected for a fully depleted battery.

NOTE:

Charge times may be affected by extreme temperatures or type of charging cable used. Optimal charging occurs with use of the AC charger.

If battery has not been used for 6 months or more, charge before use. If battery pack terminals are dirty, clean with a dry cloth prior to use.

Battery pack should be disposed of or recycled in accordance with local laws and regulations.

PN36905,0009A84-19-20190903