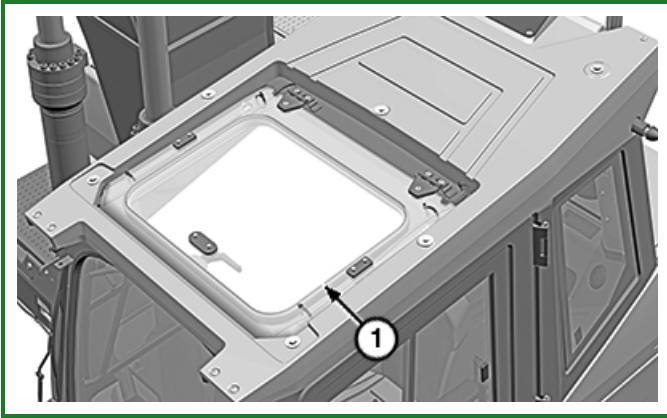


Check Polycarbonate Roof Hatch—If Equipped



YN1285022-UN: Polycarbonate Roof Hatch

LEGEND:

1 - Polycarbonate Roof Hatch

IMPORTANT:

To avoid damage to roof hatch, do not use organic solvents and abrasive cloths when cleaning the polycarbonate roof hatch. Only use water and a non-abrasive cloth.

NOTE:

Replace the polycarbonate roof hatch (1) if there are signs of damage or after 5 years of exposure to the sun.

1. Inspect polycarbonate roof hatch (1) for operation.
2. Check if the latch and hinges work freely and properly.
3. Check if the polycarbonate roof hatch is damaged.
4. Replace as necessary.

YN00108,000194B-19-20190912

Check Bolt-Nut Torque

NOTE:

Tighten bolts/nuts after first 10 hours, then again after first 50 hours of operation. After that, tighten as required. Threads should be clean and lightly oiled.

For recommended torque specifications, see Unified Inch Bolt and Screw Torque Values and Metric Bolt and Screw Torque Values in this section.

CP00719,00004EE-19-20121211