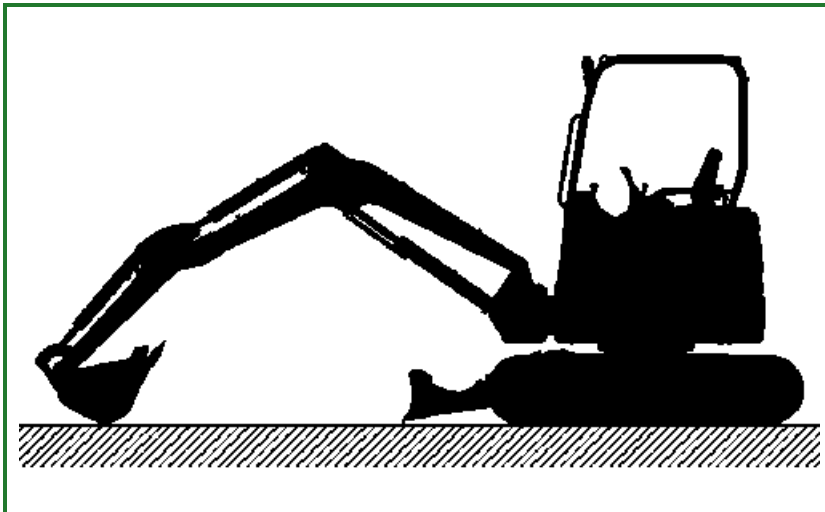


Replace Hydraulic Tank Oil Filter



TS281-UN: Pressurized Fluids



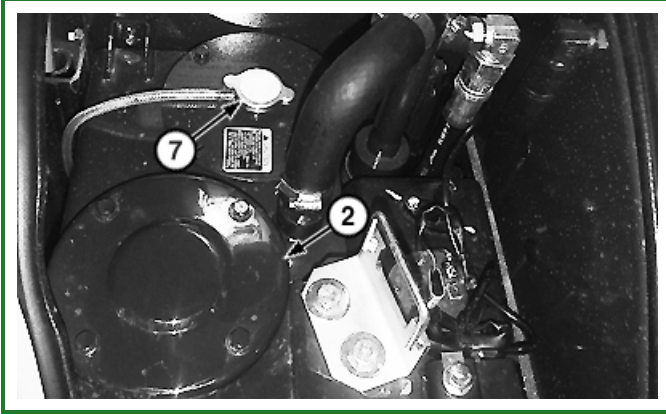
TX1127481-UN: Machine Position

⚠ CAUTION:

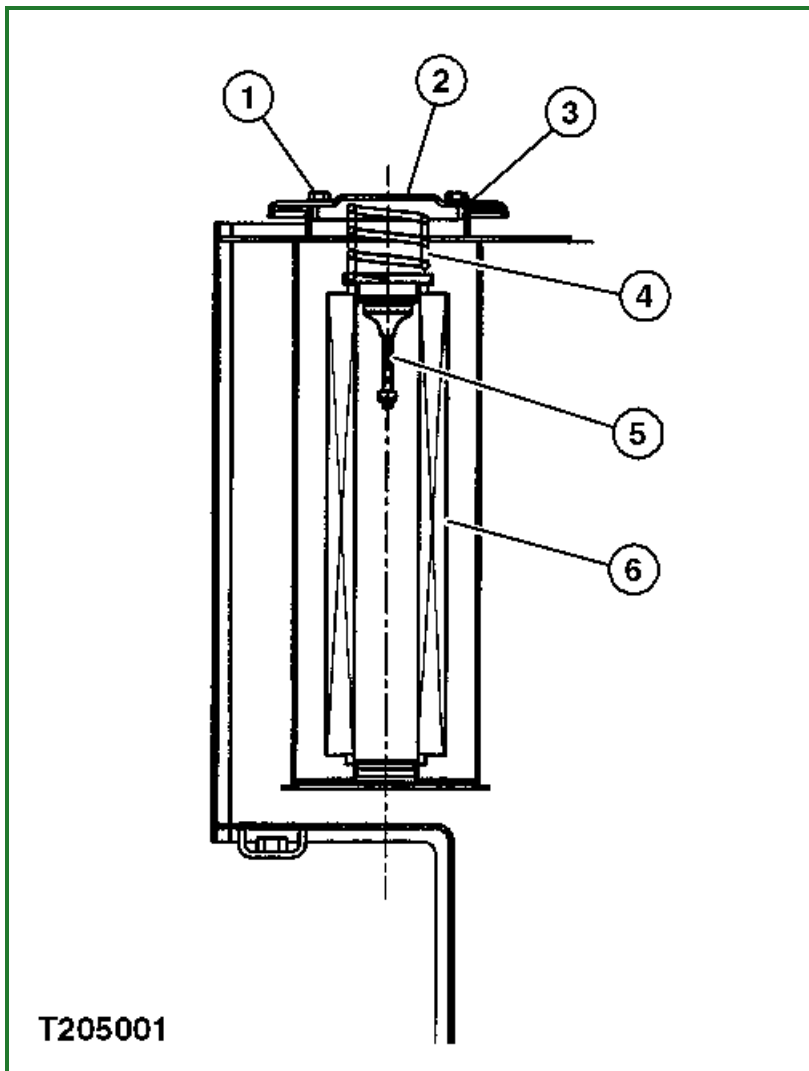
High pressure release of oil from pressurized system can cause serious burns or penetrating injury. The hydraulic tank is pressurized. Slowly loosen cap to release pressure.

1. Park machine on a level surface with arm cylinder fully retracted and bucket cylinder fully extended. Lower bucket and blade to ground.
2. Stop engine.
3. Open front maintenance access cover.

4.



TX1126348A-UN: Hydraulic Tank Filler Cap and Cover



T205001-UN: Filter Element

LEGEND:

- 1 - Cap Screw (4 used)
- 2 - Filter Cover
- 3 - O-Ring
- 4 - Spring
- 5 - Valve
- 6 - Filter Element
- 7 - Hydraulic Tank Filler Cap

Slowly loosen hydraulic tank filler cap (7) to release hydraulic pressure. Remove cap.

5. Loosen cap screws (1) to remove filter cover (2) and O-ring (3).