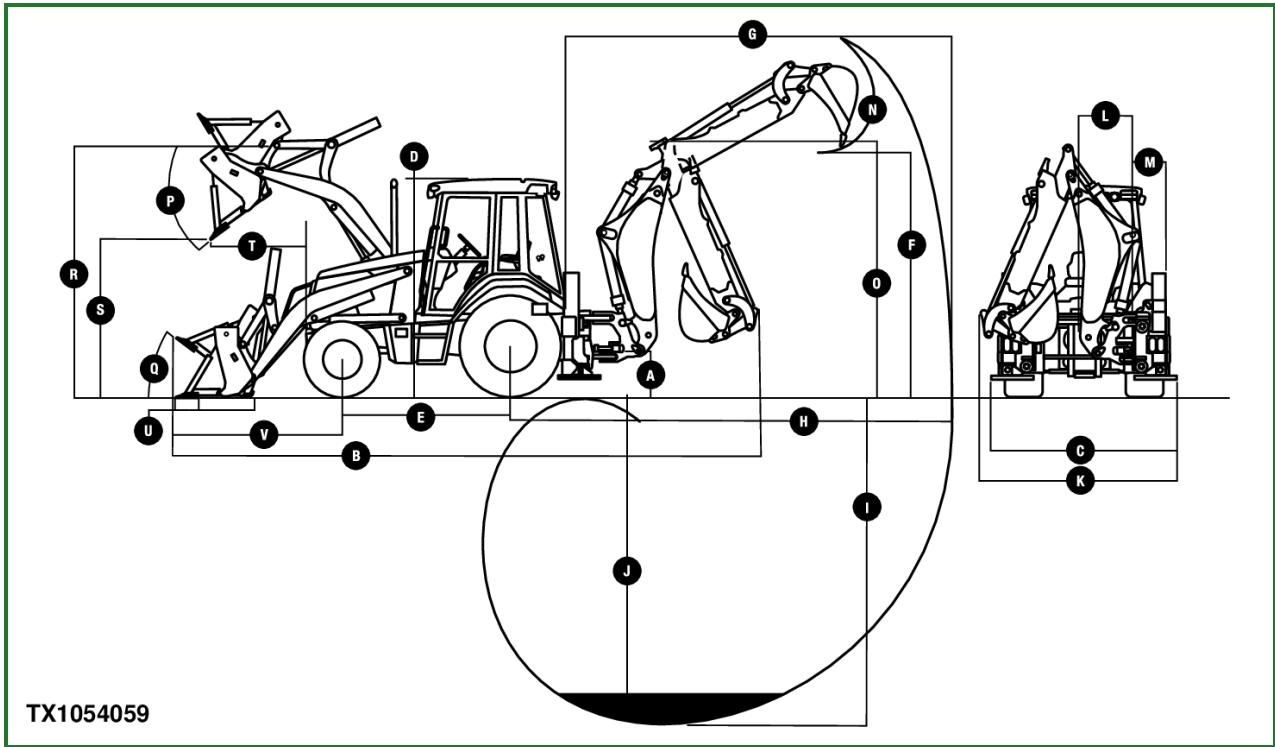


## 315SK Backhoe Loader Dimensions



TX1054059-UN: Backhoe Dimensions

Item	Measurement	Specification
A—Ground Clearance Minimum	Distance	351 mm 14 in.
B—Overall Length, Transport	Length	5.26 m 17 ft. 3 in.
C—Stabilizer Spread	Width	2.40 m 7 ft. 10 in.
D—Height to Cab/ROPS Top	Height	2.79 m 9 ft. 2 in.
E—Wheelbase		
-Non-Powered Front Axle	Length	2.11 m 6 ft. 11 in.
-Mechanical Front Wheel Drive Axle	Length	2.14 m 7 ft. 0 in.
F—Loading Height, Truck Loading Position		
-Backhoe w/o Ext. Dipperstick	Height	3.58 m 11 ft. 9 in.
-Backhoe w/ Ext. Dipperstick Retracted	Height	3.58 m 11 ft. 9 in.
-Backhoe w/ Ext. Dipperstick Extended	Height	4.34 m 14 ft. 3 in.
G—Reach from Center of Swing Pivot		
-Backhoe w/o Ext. Dipperstick	Distance	5.51 m 18 ft. 1 in.
-Backhoe w/ Ext. Dipperstick Retracted	Distance	5.61 m 18 ft. 5 in.
-Backhoe w/ Ext. Dipperstick Extended	Distance	6.63 m 21 ft. 9 in.
H—Reach from Center of Rear Axle		

Item	Measurement	Specification
-Backhoe w/o Ext. Dipperstick	Distance	6.91 m 22 ft. 8 in.
-Backhoe w/ Ext. Dipperstick Retracted	Distance	7.01 m 22 ft. 12 in.
-Backhoe w/ Ext. Dipperstick Extended	Distance	8.03 m 26 ft. 4 in.
<b>I—Maximum Digging Depth</b>		
-Backhoe w/o Ext. Dipperstick	Depth	4.29 m 14 ft. 1 in.
-Backhoe w/ Ext. Dipperstick Retracted	Depth	4.42 m 14 ft. 6 in.
-Backhoe w/ Ext. Dipperstick Extended	Depth	5.49 m 18 ft. 0 in.
<b>J—Digging Depth (SAE) —610 mm (2 ft) Flat Bottom</b>		
-Backhoe w/o Ext. Dipperstick	Distance	4.27 m 14 ft. 0 in.
-Backhoe w/ Ext. Dipperstick Retracted	Distance	4.40 m 14 ft. 5 in.
-Backhoe w/ Ext. Dipperstick Extended	Distance	5.44 m 17 ft. 10 in.
<b>J—Digging Depth (SAE) —2440 mm (8 ft) Flat Bottom</b>		
-Backhoe w/o Ext. Dipperstick	Distance	3.96 m 12 ft. 12 in.
-Backhoe w/ Ext. Dipperstick Retracted	Distance	4.09 m 13 ft. 5 in.
-Backhoe w/ Ext. Dipperstick Extended	Distance	5.22 m 17 ft. 2 in.
<b>K—Overall Width (Less Loader Bucket)</b>	Width	2.49 m 8 ft. 2 in.
<b>L—Side-Shift from Machine Centerline</b>		
-Backhoe (Standard stabilizers)	Width	542 mm 1 ft. 9 in.
<b>M — Wall to Swing Centerline</b>		
-Backhoe (Standard stabilizers)	Width	6.20 mm 2 ft. 0 in.
<b>N—Bucket Rotation</b>	Rotation	190°
<b>O—Transport Height</b>		
-Backhoe w/o Ext. Dipperstick	Height	3.48 m 11 ft. 5 in.
<b>P—Maximum Loader Bucket Dump Angle</b>	Angle	45°
<b>Q—Loader Bucket Rollback at Ground Level</b>	Angle	40°
<b>R—Maximum Height to Loader Bucket Hinge Pin</b>	Height	3.40 m 11 ft. 2 in.
<b>S—Dump Clearance, Loader Bucket at 45°</b>		
-Heavy Duty 0.77 m <sup>3</sup> (1.00 yd <sup>3</sup> )	Clearance	2.69 m 8 ft. 10 in.
-Heavy Duty Long Lip 0.96 m <sup>3</sup> (1.25 yd <sup>3</sup> )	Clearance	2.48 m 8 ft. 2 in.