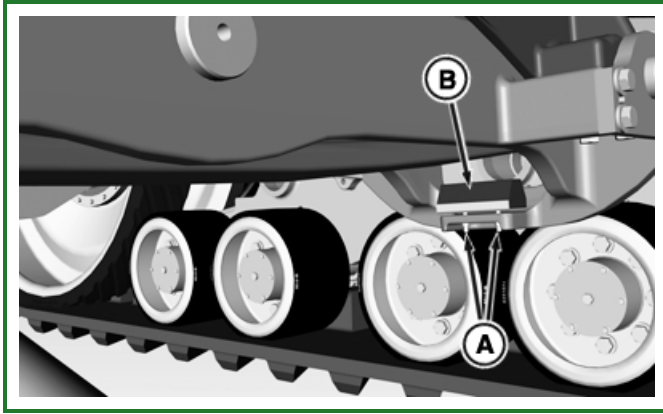
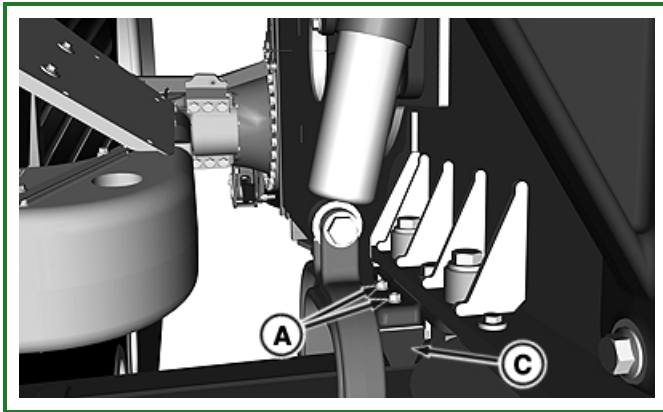


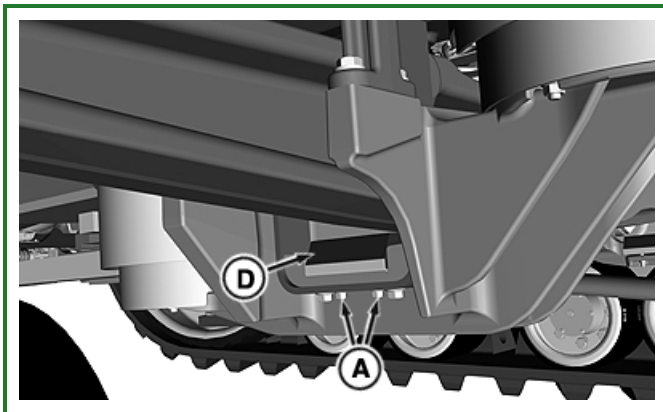
Inspect Walking Beam Stop Bumpers



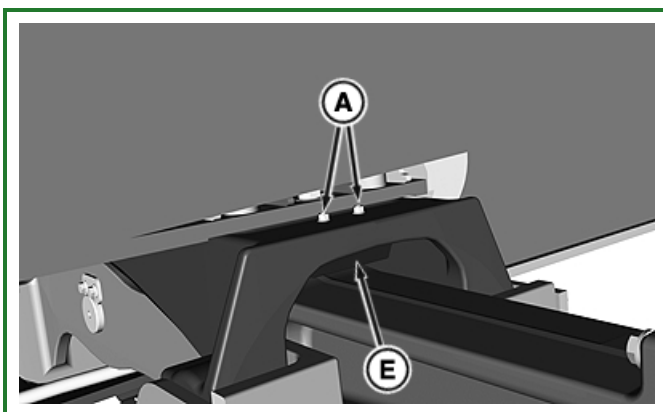
RXA0142147-UN: Left-Hand Lower Bumper



RXA0142144-UN: Right-Hand Upper Bumper



RXA0142145-UN: Right-Hand Lower Bumper



RXA0142146-UN: Left-Hand Upper Bumper

LEGEND:

-
- A - Nuts (4 used)
 - B - Left-Hand Lower Bumper
 - C - Right-Hand Upper Bumper
 - D - Right-Hand Lower Bumper
 - E - Left-Hand Upper Bumper

Park tractor on level surface to inspect bumpers.

Inspect each bumper for damage, excessive wear, or if it is bent or deformed.

Damage could be chunking, chipping, or cracking of bumper. If any damage is found, replace bumper, see Replace Walking Beam Stop Bumpers in 1000 Hour section of this Operator's Manual.

GH15097,00006DA-19-20140610