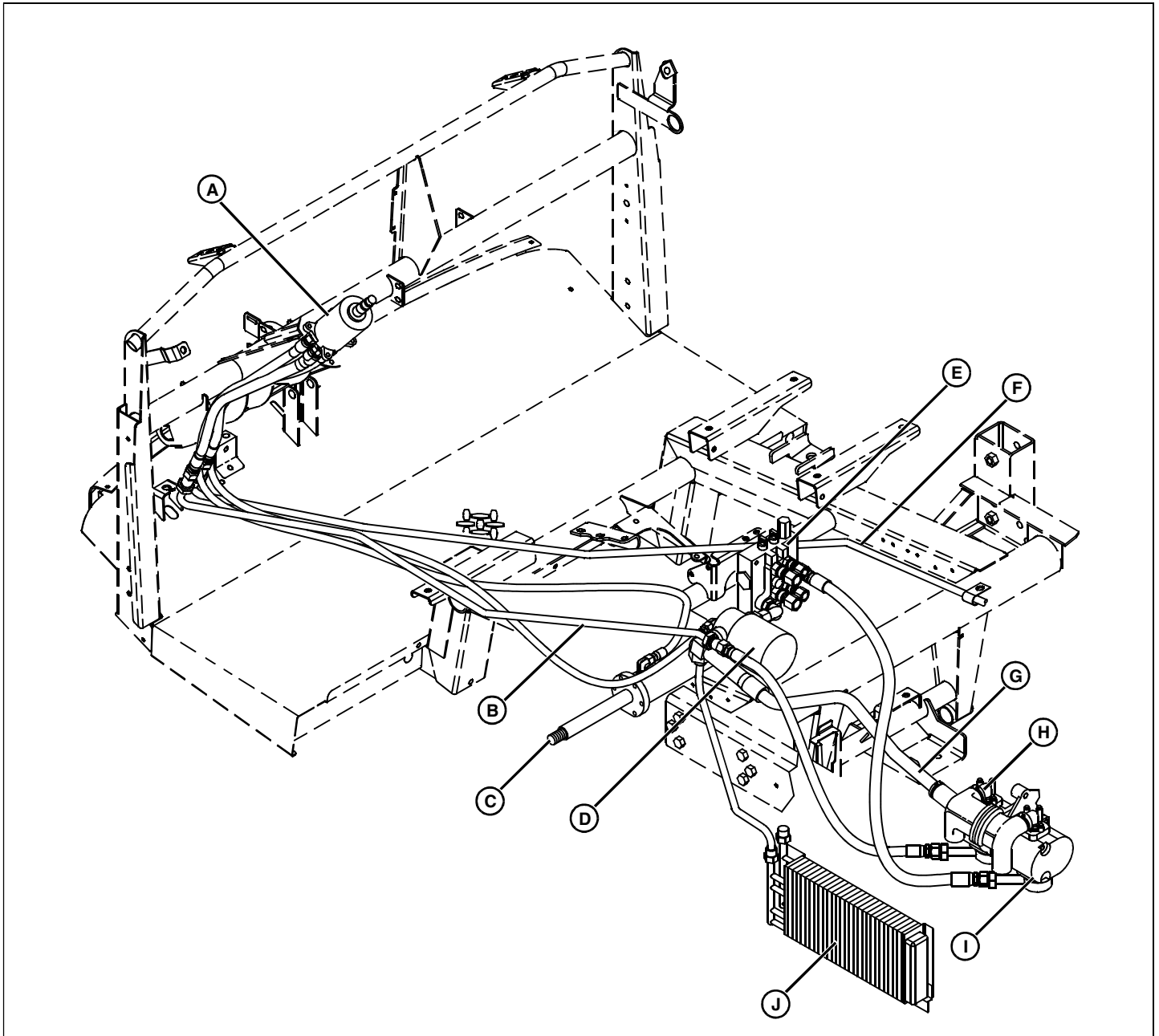


# STEERING COMPONENT LOCATION

## Component Location

### Hydraulic Components



MIF

Picture Note: S.N. ( -020000)

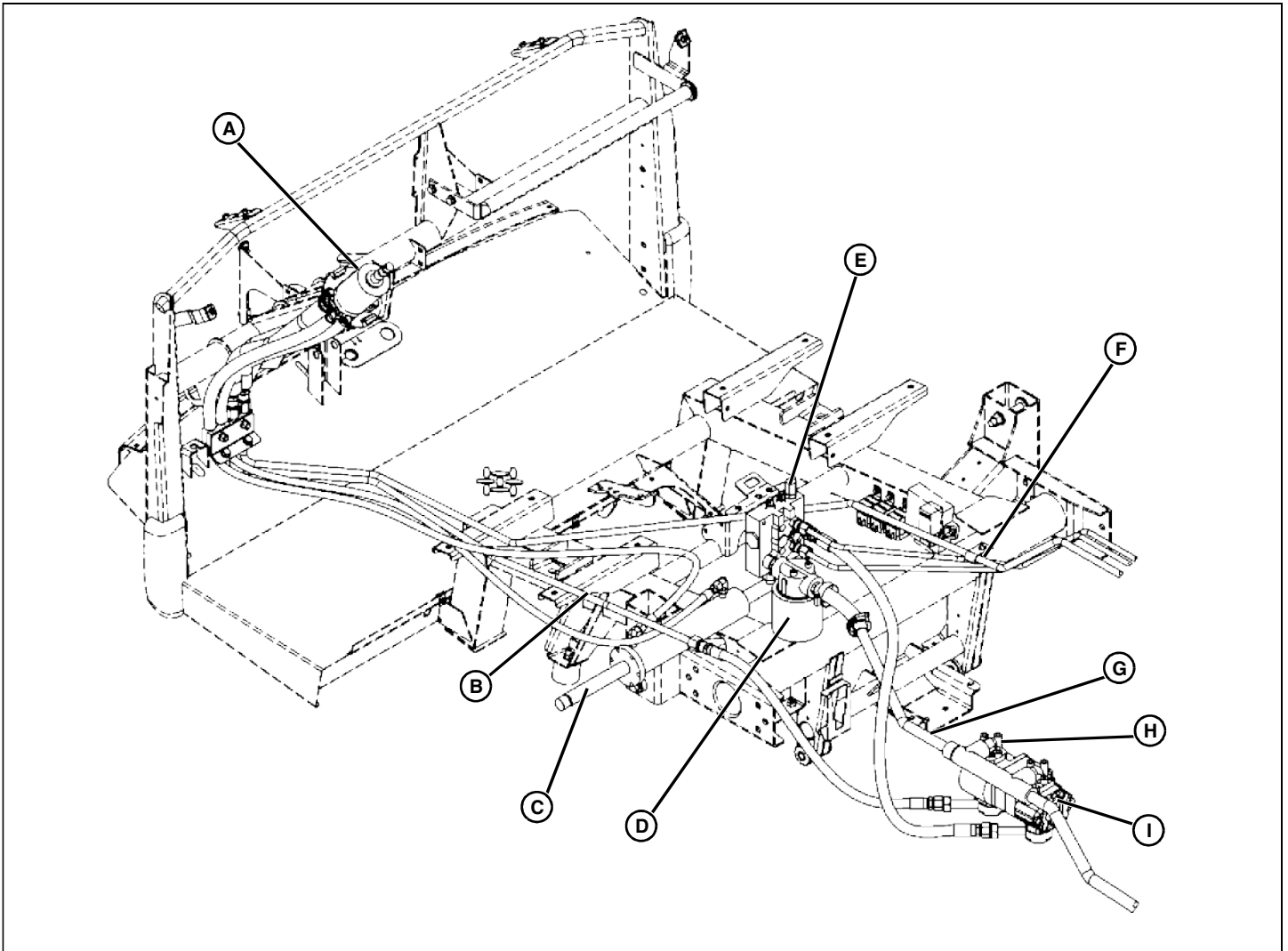
- A - Steering Control Unit
- B - Pressure Line
- C - Steering Cylinder
- D - Filter
- E - Control Valve
- F - Return Line to Sump (Steering)
- G - Return Line to Pump (Auxiliary)

H - Steering Pump (4 cm<sup>3</sup>)

I - Auxiliary Pump (9 cm<sup>3</sup>)

J - Oil Cooler

# STEERING COMPONENT LOCATION



MX14966

Picture Note: S.N. (020001- )

- A - Steering Control Unit
- B - Pressure Line
- C - Steering Cylinder
- D - Filter
- E - Control Valve
- F - Return Line to Sump (Steering)
- G - Return Line to Pump (Aux)
- H - Steering Pump (4 cm<sup>3</sup>)
- I - Auxiliary Pump (9 cm<sup>3</sup>)