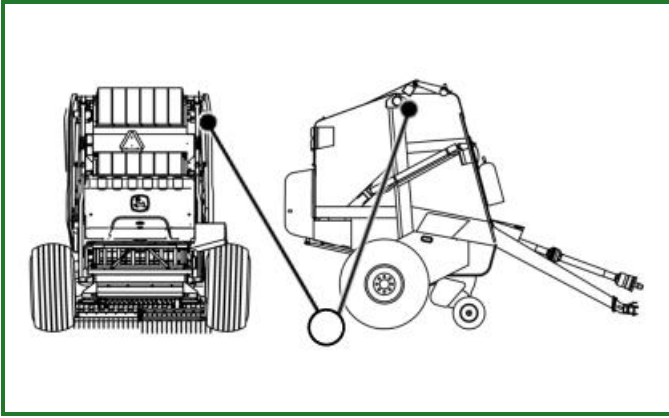
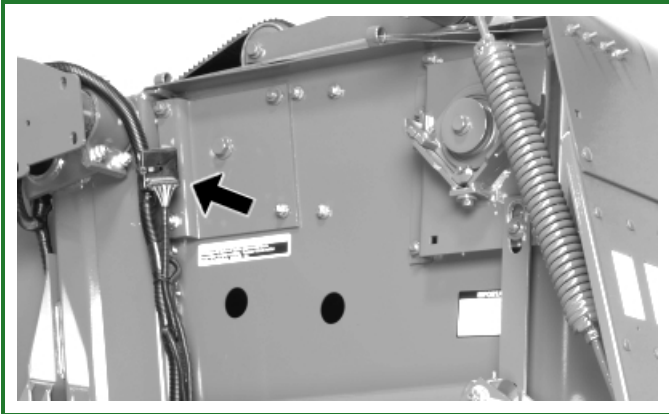


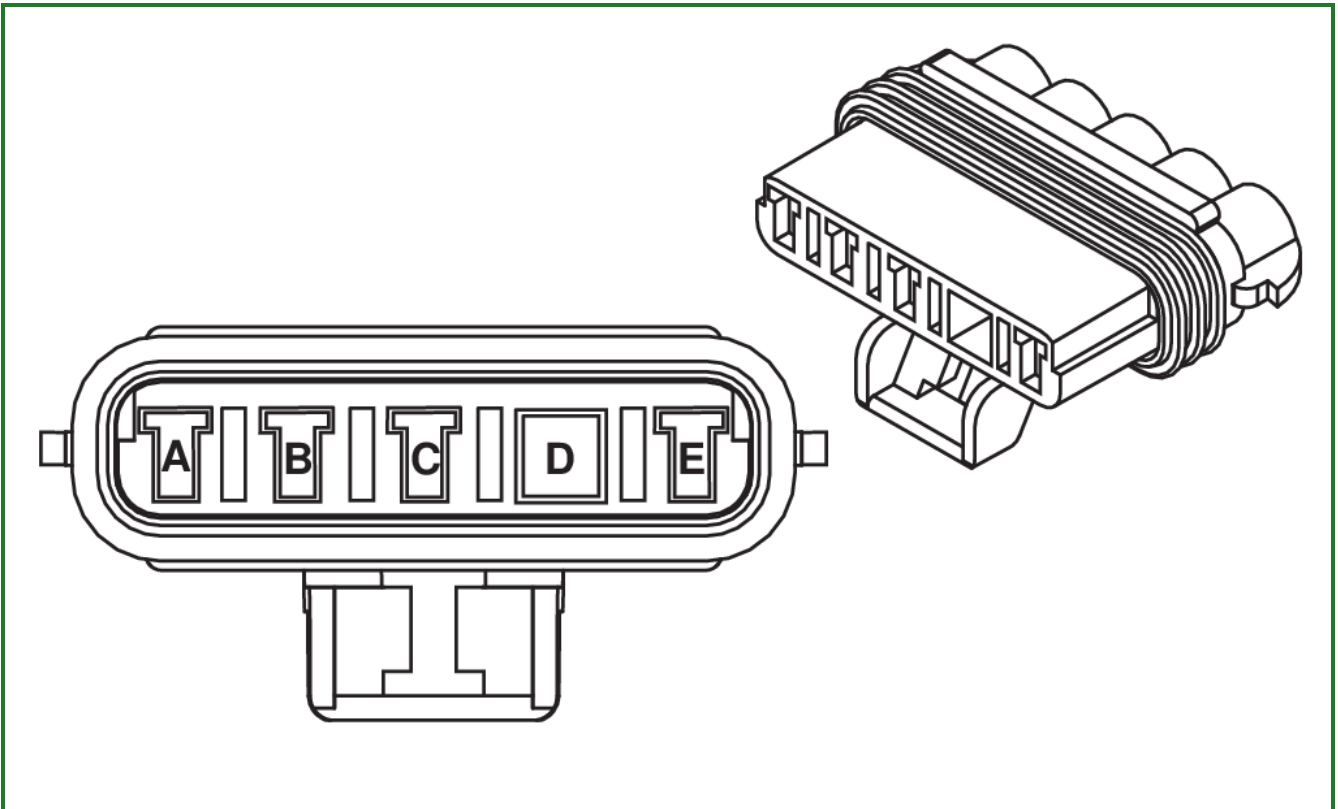
## XA1 — Flasher Module Connector



E86358-UN: Location Art



E85966-UN: Machine Graphic



A90705-UN: End View

-: Component Information

Component Information	
Number of Pins	5
Connection Point	A1 Flasher Module
Harness Information	W1 Baler Main Harness

-: Table

Pin	Circuit	Color
A	0100	Black
B	0107	Violet
C	0104	Yellow
D	0105	Green
E	0106	Blue

[Go to Section\\_249:Group\\_40A](#)

KM44005,0000055-19-20180824