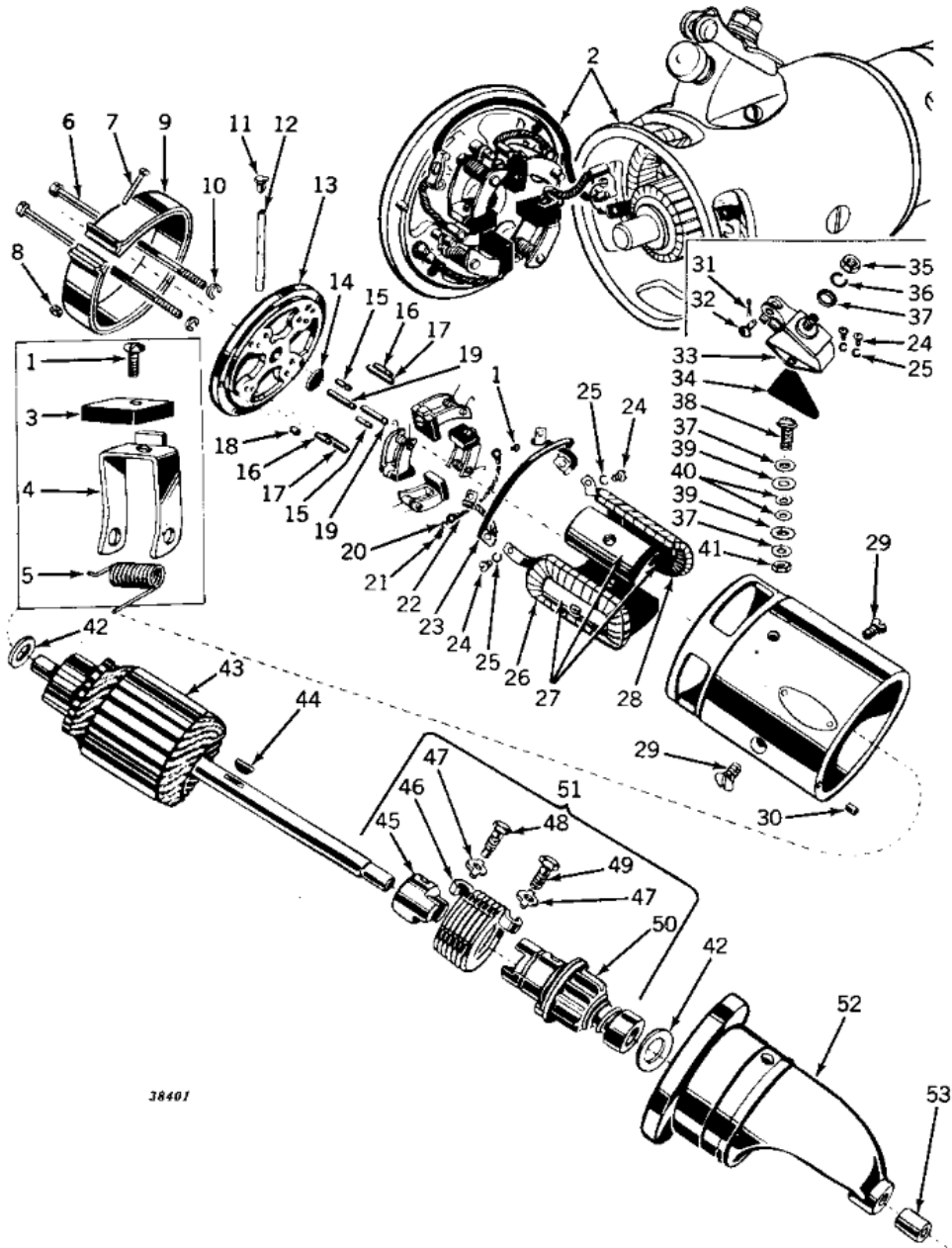


105-20

Tractors -- 420 and 430 Series

STARTING MOTOR
Delco-Remy No's 1107127 and 1107165



38401

PC-505-(2-63) Litho in U. S. A.

Tractors -- 420 and 430 Series

105-21

STARTING MOTOR -- Continued
Delco-Remy No's 1107127 and 1107165

Key	John Deere Part No.	Delco-Remy Part No.	Serial No.	Description
1	21H 964 A	(-)	Screw, No. 6 x 1/2", plated (4 used)
2	AT 16881 T	(-100000)	Starting motor (sub. for AM1802T)
	AT 16882 T	(100001-)	Starting motor (sub. for AM3397T)
3	811553*	(-)	Brush (4 used) (packed 2 in a pkg.)
4	R 11090 R	(-)	Holder, brush (4 used) (sub. for 810226)
5	R 11091 R	(-)	Spring, brush (4 used) (sub. for 813521)
6	809053	(-)	Bolt, through (2 used)
7	21H 986 A	(-)	Screw, No. 10 x 1-1/4"
8	14H 631 A	(-)	Nut, no. 10, plated
9	AR 11066 R	(-)	Band, cover (sub. for 1886923)
10	12H 302 A	(-)	Washer, lock, 1/4" (2 used)
11	802691*	(-)	Wick, oiler
12	114998*	(-)	Oiler
13	1881625	(-)	Frame, commutator end, with pins and oiler
14	1865182*	(-)	Plug, expansion
15	AR 11062 R	(-)	Pin and insulator, stop (2 used) (sub. for 812015)
16	R 11093 R	(-)	Pin, stop (2 used) (sub. for 817314)
17	R 11092 R	(-)	Pin, hinge (2 used) (sub. for 817313)
18	R 11086 R	(-)	Pin, dowel (sub. for 809062)
19	AR 11063 R	(-)	Pin and insulator, hinge (2 used) (sub. for 812016)
20	12H 290 A	(-)	Washer, lock, internal tooth, No. 8 (2 used)
21	21H 969 A	(-)	Screw, No. 8 x 1/4", plated (2 used)
22	AR 11064 R	(-)	Lead, brush ground (2 used) (sub. for 813554)
23	AR 11065 R	(-)	Lead, brush jumper (sub. for 819362)
24	21H 1189 A	(-)	Screw, mach., No. 10 x 1/4", rd. hd. (4 used)
25	12H 246 A	(-)	Washer, lock, No. 10 (4 used) (sub. for A767R)
26	1923195	(-)	Coil, field, R.H. (distributor side of tractor)
27	810601*	(-)	Shoe, pole (4 used)
28	1923194	(-)	Coil, field, L.H. (carburetor side of tractor)
29	R 11104 R	(-)	Screw, pole shoe (4 used) (sub. for 1881869)
30	R 11087 R	(-)	Pin, dowel, drive body to main body (sub. for 809593)
31	11H 231 A	(-)	Pin, cotter, 1/16" x 1"
32	1880254*	(-)	Pin, switch
33	1882323	(-)	Switch, complete, with hardware
34	816911*	(-)	Insulation, switch side (2 used) (packed 2 in a pkg.)
35	14H 812 A	(-)	Nut, 3/8", plated
36	12H 304 A	(-)	Washer, lock, switch terminal, 3/8"
37	24H 1303 A	(-)	Washer, plain, 13/32" x 11/16" x .060" (3 used)
38	821524	(-)	Stud
39	R 11099 R	(-)	Washer, insulating (large) (2 used) (sub. for 1861076) (packed 2 in a pkg.)
40	R 11107 R	(-)	Washer, insulating (small) (2 used) (sub. for 1904669) (packed 2 in a pkg.)
41	14H 732 A	(-)	Nut, hex., jam, 3/8"
42	R 11096 R	(-)	Washer (2 used) (sub. for 833602) (packed 2 in a pkg.)
43	1872505	(-)	Armature
44	26H 10 A	(-)	Key, Woodruff, 5/32" x 5/8"
45	1848530	(-)	Head, drive
46	1860639	(-100000)	Spring, drive
	1855630	(100001-)	Spring, drive
47	A 2783 R	(-)	Washer, lock (2 used) (sub. for 805057)
48	A 2787 R	(-100000)	Screw, head spring (sub. for 1850811)
	1848180	(100001-)	Screw, head spring
49	A 2786 R	(-100000)	Screw, shaft spring (sub. for 1850810)
	1848531	(100001-)	Screw, shaft spring
50	1855629	(-)	Gear and shaft, with service sleeve
51	1868804	(-100000)	Drive assembly
	1855548	(100001-)	Drive assembly
52	1924229	(-100000)	Housing, drive, with bushing
	T 10337 T	(100001-)	Housing, drive (sub. for 1938091)
53	810620*	(-)	Bushing, drive housing

*Parts provided to John Deere Branch Houses by John Deere Waterloo Tractor Works of Waterloo, Iowa.