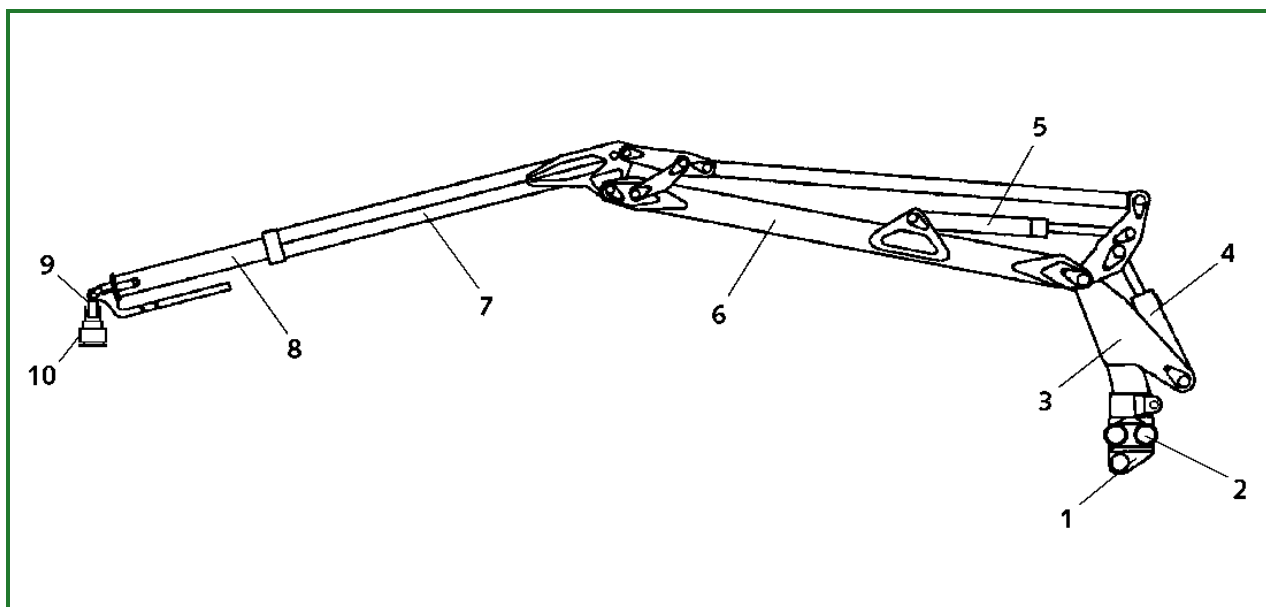


Booms Specifications



T153872-UN: Booms description

LEGEND:

- 1 - Base
- 2 - Slewing cylinders
- 3 - Pillar
- 4 - Main boom cylinder
- 5 - Outer boom cylinder
- 6 - Main boom
- 7 - Outer boom
- 8 - Extension boom
- 9 - Rotator link
- 10 - Rotator

Specifications

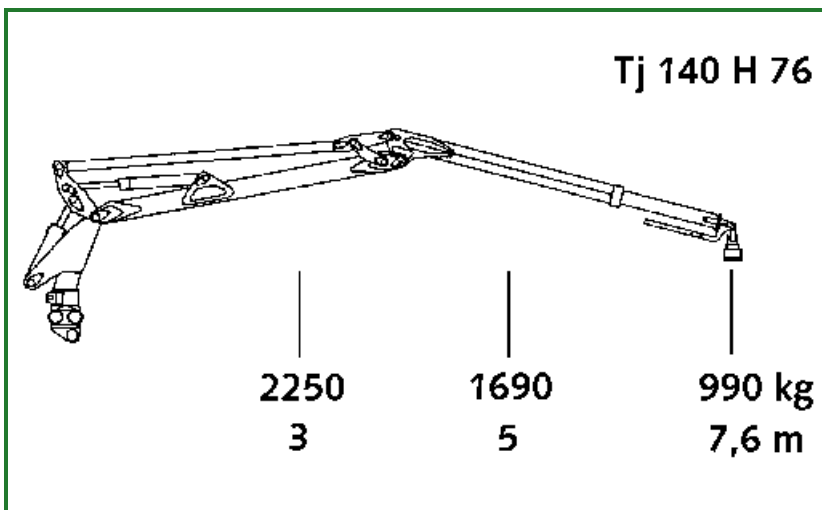
-: Technical data

Machine Model	770D	1070D	1270D and 1470 D
Boom	140 H 79 or H 89	180 H 83, 97 or 110	210H 90, 97 or115
Harvester head	TJ H732, TJ H742, TJ 745	TJ H732, H742, 745, 754	745, 752, 754, 758 or H762
Rotator model	AV12S	Same as in 770D	Same as in 770D
Rotator Weight	56 kg (123 lbs)	Same as in 770D	Same as in 770D
Slewing torque	2,1 kNm (1550 lb-ft)	Same as in 770D	Same as in 770D
Slewing angle	unlimited (±180° with harvester head)	Same as in 770D	Same as in 770D

Booms Specifications

Outreach, Max With Harvester Head	8200 mm (26 ft 11in) 9200 mm(30 ft 2 in.)	8600 mm (28 ft 3 in) 10000 mm (32 ft 10 in) 11300 mm (37 ft.)	9300mm,(30 ft 6 in) 1000 mm (32 ft 10 in) 11800 mm(38 ft 9 in)
Outreach, Max	7600 mm 24 ft.11	8300 mm(27 ft.3 in) 9700 mm (31 ft.10 in) 11000 mm (36 ft.1 in)	9000 mm (29 ft 6 in) 9700 mm (31 ft.10 in) 11500 mm((37 ft.9 in)
Stroke of Boom Extension	800 mm 2 ft.7 in	800 mm (2 ft.7 in) 2170 mm (7 ft.1 in) 3486 mm 11 ft.5 in	1440 mm (4 ft 9 in) 2270 mm (7 ft.5 in.) 3990 mm (13 ft.1 in)
Weight, Without Oil	1600 kg 3527 lbs	2090 kg (4607 lbs) 2150 kg (4740 lbs) 2230 kg 4916 lbs	2570 kg (5665 lbs) 2580 kg (5688 lbs) 2680 kg (5908 lbs)
Max Allowed Lifting Mass In 110 and 115 booms only		in 110 boom 670 kg (1477 lbs)	in 115 boom 960kg (2116 lbs)
Gross Lifting Moment	95 kNm (70068 lb-ft)	135 kNm (99570 lb-ft)	178 kN·m
Net Lifting Moment	95 kNm (70068 lb-ft)		75 kN·m (55500 lb-ft)
Gross Slewing Moment	24,4 kNm (17996 lb-ft)	38 kNm (28027 lb-ft)	43,6 kNm (32155 lb-ft)
Slewing Angle	220°	220°	220°
Tilting angle	±15°	±15°	+30°...-15°
Slew Housing Capacity			7 l (1.8 gal)
Slew Pressure Relief Valve Setting			23Mpa (3120 psi)

Booms lifting Torques



T159856-UN: Tj 140 H. 79