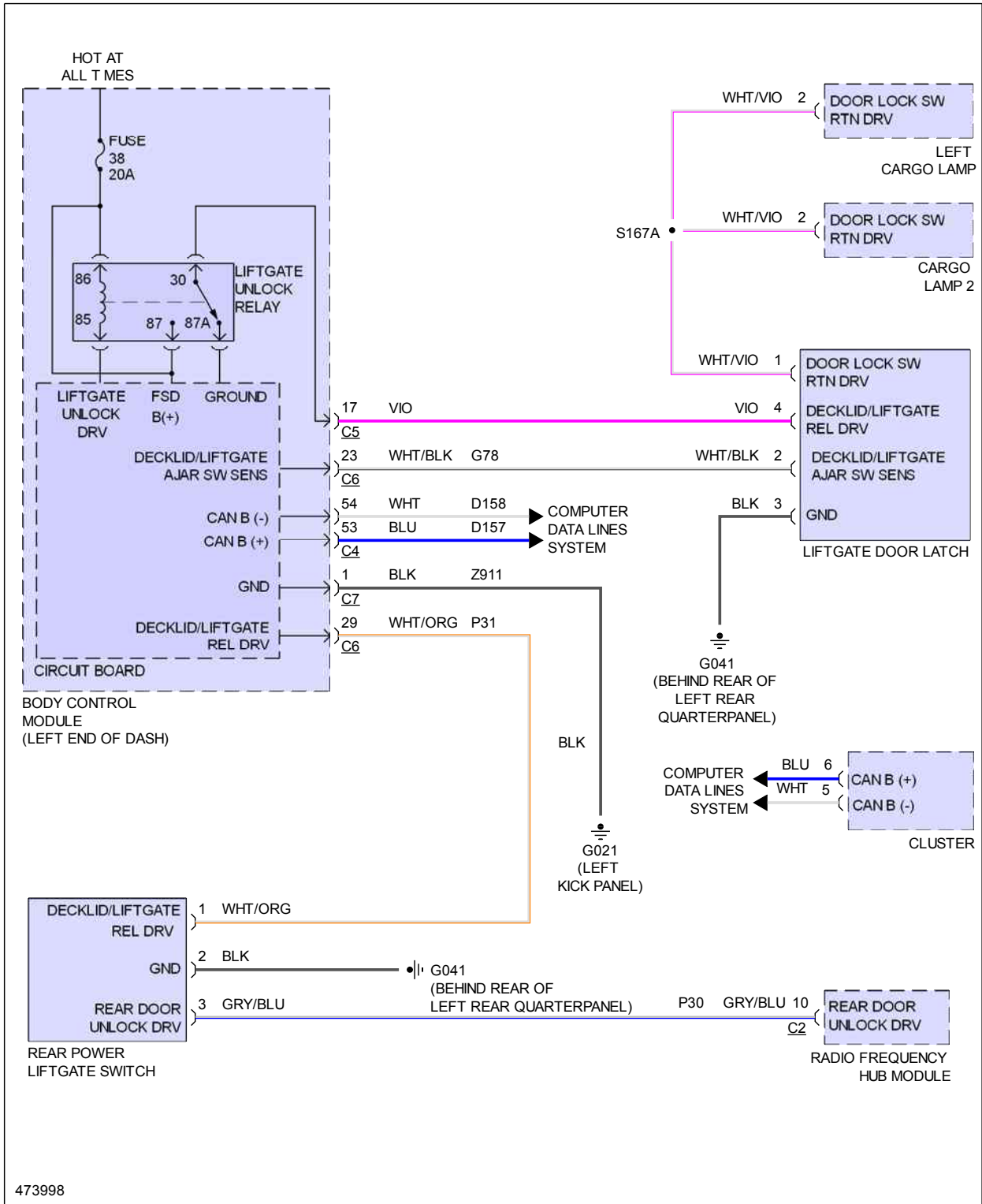


TRUNK, TAILGATE, FUEL DOOR

Fig 1: Deck Lid Release Circuit



WARNING SYSTEMS

Fig 1: Warning Systems Circuit (1 of 2)

