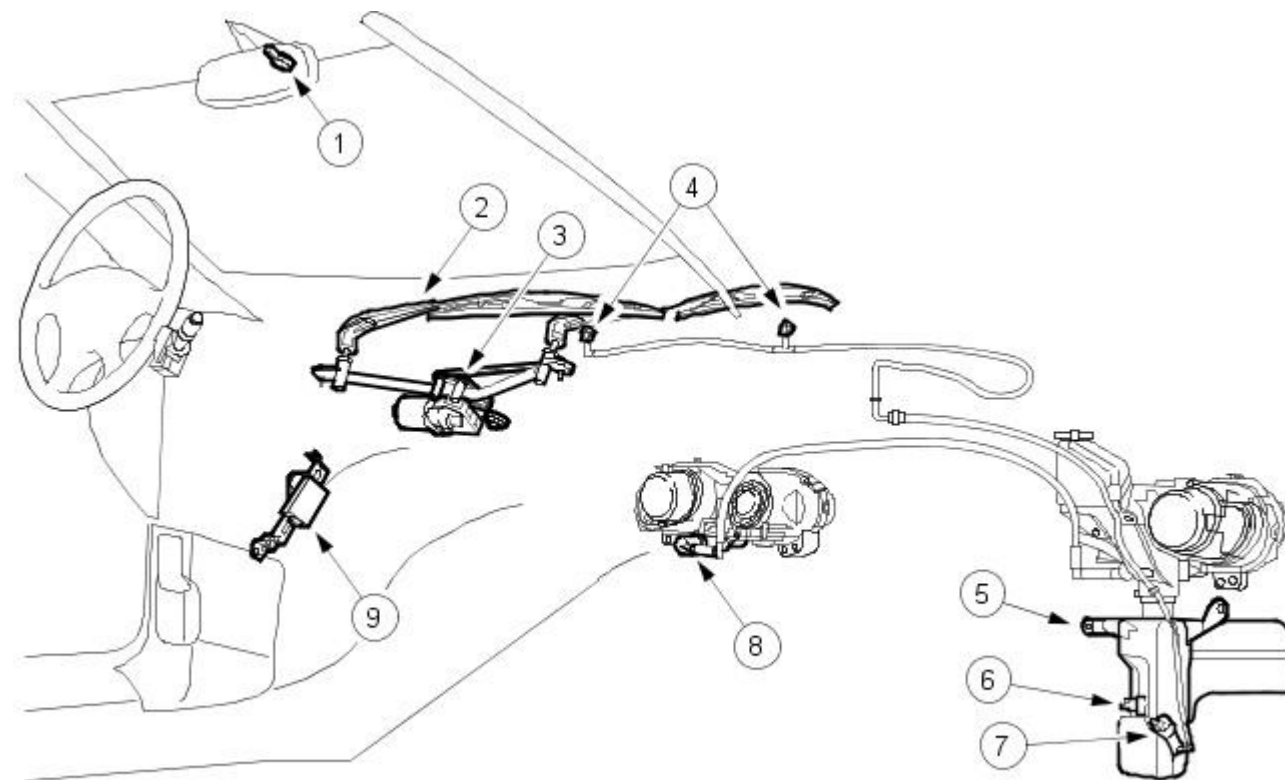


Wipers and Washers - Wipers and Washers

Description and Operation

All vehicles



VJJ0004467

Item	Part Number	Description
1	—	Moisture sensor
2	—	Wiper pivot arms/wiper blades
3	—	Mounting arm and pivot shaft
4	—	Windscreen washer jets
5	—	Reservoir
6	—	Reservoir level switch
7	—	Windshield washer pump
8	—	Headlamp washer assembly (if equipped)
9	—	Rain sensor module

The wipers and washers system consist of the following components, wipers and washers, mounting arm and pivot shaft, wiper motor, reservoir and washer pump, a headlamp washing system is available as an additional option.

The wipers have two speed control, low and high, and an intermittent wipe mode. The wipers will park automatically irrespective of their position when the OFF position of the ignition or control switch is selected.

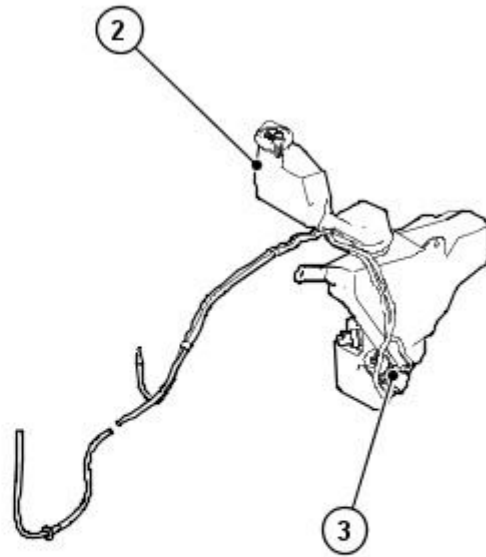
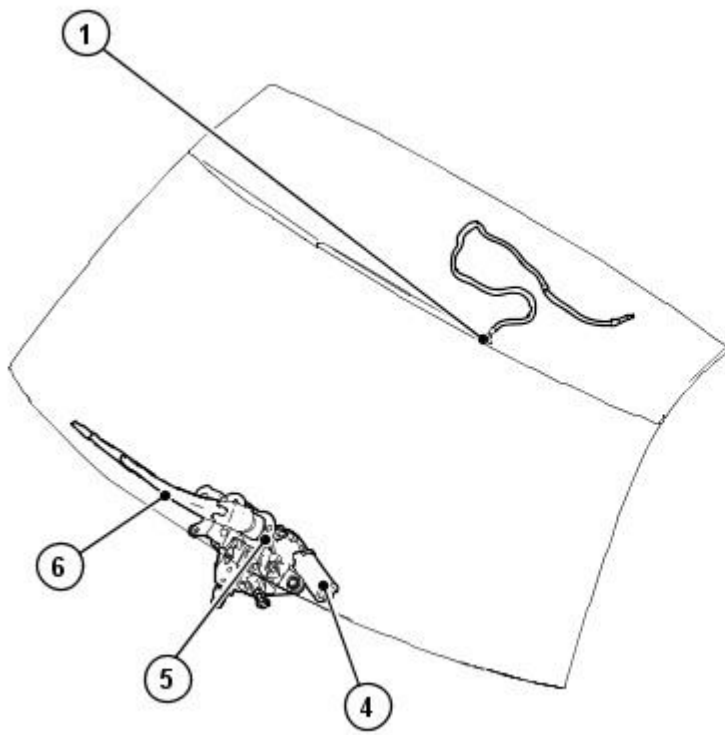
Within wiper and washer system the following features can be attained, adjustable interval intermittent wiping, programmable wash and wipe sequencing and moisture sensitive wiping. The system and features are centrally controlled by the GEM (generic electronics module).

The intermittent wiping has seven speed settings, 3, 6, 9, 12, 15, 18 seconds and speed dependent. The driver also has the capacity to adjust these via a switch with seven settings.

The programmable wash and wipe sequence is driver controlled. With a depression of the wash/wipe switch between 40 milliseconds and 1.2 seconds the wash pump will be activated for a duration of 1.2 seconds. When the wash/wipe switch is depressed for longer than 1.2 seconds the wash pump will be activated for the duration of switch depression, a 10 second duration is the maximum available. The wiping system is automatically activated with the depression of the wash switch.

Where fitted, moisture sensitive wiping will be initiated when the vehicle is running and not in the PARK or NEUTRAL gear selection (gear engaged on manual vehicles). The wiper switch must be in the AUTO position.

Wagon



E49382

Item	Part Number	Description
1	-	Rear window washer jet
2	-	Reservoir
3	-	Windsheild and rear window washer motor
4	-	Rear window wiper motor
5	-	Rear wiper mounting arm
6	-	Rear window wiper pivot arm/wiper blade

The rear wiper and washer system consist of the following components, wipers and washers, pivot arm, wiper motor, reservoir (uses standard front washer reservoir) and washer pump.

The washer pump directs the washer fluid to the rear washer jet or the front washer jets via a directional valve.

The wiper motor has a rotating disk with a slot. The pivot arm has a pin. The movement of the arm is ensured through the engagement of the pin in the slot when the glass is closed. The latch actuator is fixed with 2 fixings on the latch bracket. It is driven electrically by switch on rear glass handle.

The rear wiper and washer is controlled by pushing the wash/wipe stalk forward, position one for the wipers and position two for the washers.