

COMPONENT PARTS

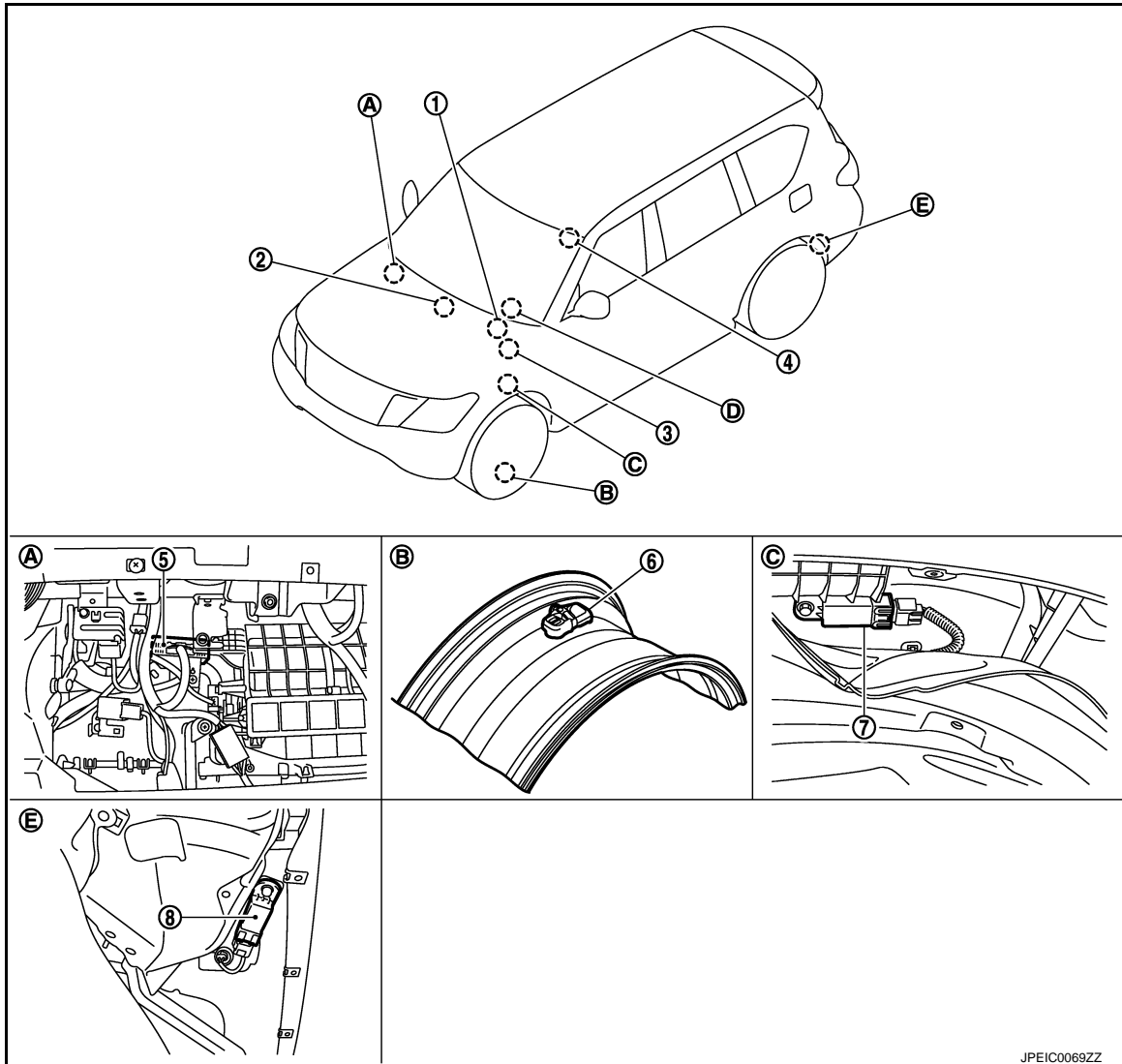
< SYSTEM DESCRIPTION >

SYSTEM DESCRIPTION

COMPONENT PARTS

Component Parts Location

INFOID:000000010260616



- | | | |
|--|--|--|
| 1. BCM
Refer to BCS-4, "BODY CONTROL SYSTEM : Component Parts Location" . | 2. AV control unit
Refer to AV-12, "Component Parts Location" . | 3. ABS actuator and electric unit (control unit)
Refer to BRC-9, "Component Parts Location" . |
| 4. TCM*
Refer to TM-11, "A/T CONTROL SYSTEM : Component Parts Location" . | 5. Low tire pressure warning control unit | 6. Tire pressure sensor |
| 7. Front tire pressure receiver | 8. Rear tire pressure receiver | |
| A. Glove box assembly removed | B. Wheel | C. Fender protector (rear side) |
| D. Low tire pressure warning lamp (in combination meter) | E. Inside rear wheel house protector | |

*: TCM used for the tire inflation indicator function.

COMPONENT PARTS

< SYSTEM DESCRIPTION >

Component Description

INFOID:000000010260617

Component parts	Reference/Function
Tire pressure sensor	WT-7, "Tire pressure sensor"
Tire pressure receiver	WT-8, "Tire Pressure Receiver"
Low tire pressure warning control unit	WT-7, "Low Tire Pressure Warning Control Unit"
Low tire pressure warning lamp	WT-9, "System Description"
AV control unit	AV-13, "Component Description"
BCM	BCS-6, "BODY CONTROL SYSTEM : System Description"
ABS actuator and electric unit (control unit)	BRC-15, "System Description"
TCM*	TM-11, "A/T CONTROL SYSTEM : Component Parts Location"

*: TCM used for the tire inflation function.

Low Tire Pressure Warning Control Unit

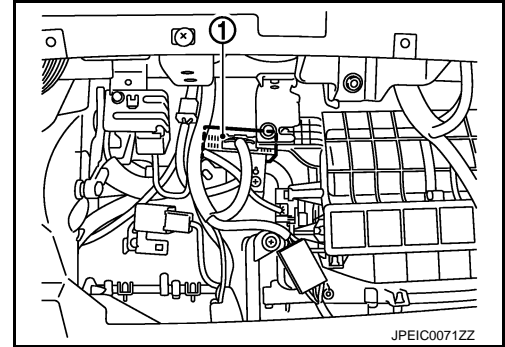
INFOID:000000010260618

- After the low tire pressure warning control unit (1) receives the tire pressure signal from the tire pressure receiver, it controls the operation of the low tire pressure warning lamp, hazard warning lamp, and horn.

NOTE:

The hazard warning lamp and the horn are used for the tire inflation indicator function.

- Performs self-diagnosis of the Tire Pressure Monitoring System (TPMS).
- Controls tire inflation indicator function.



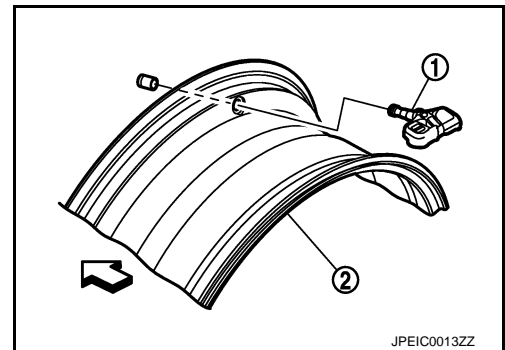
JPEIC0071ZZ

Tire pressure sensor

INFOID:000000010260619

The tire pressure sensor (1) is installed at the position of the air valve on the road wheel (2). It measures the tire pressure and transmits the tire pressure information by radio waves.

← : Outside



JPEIC0013ZZ