

COMPONENT PARTS

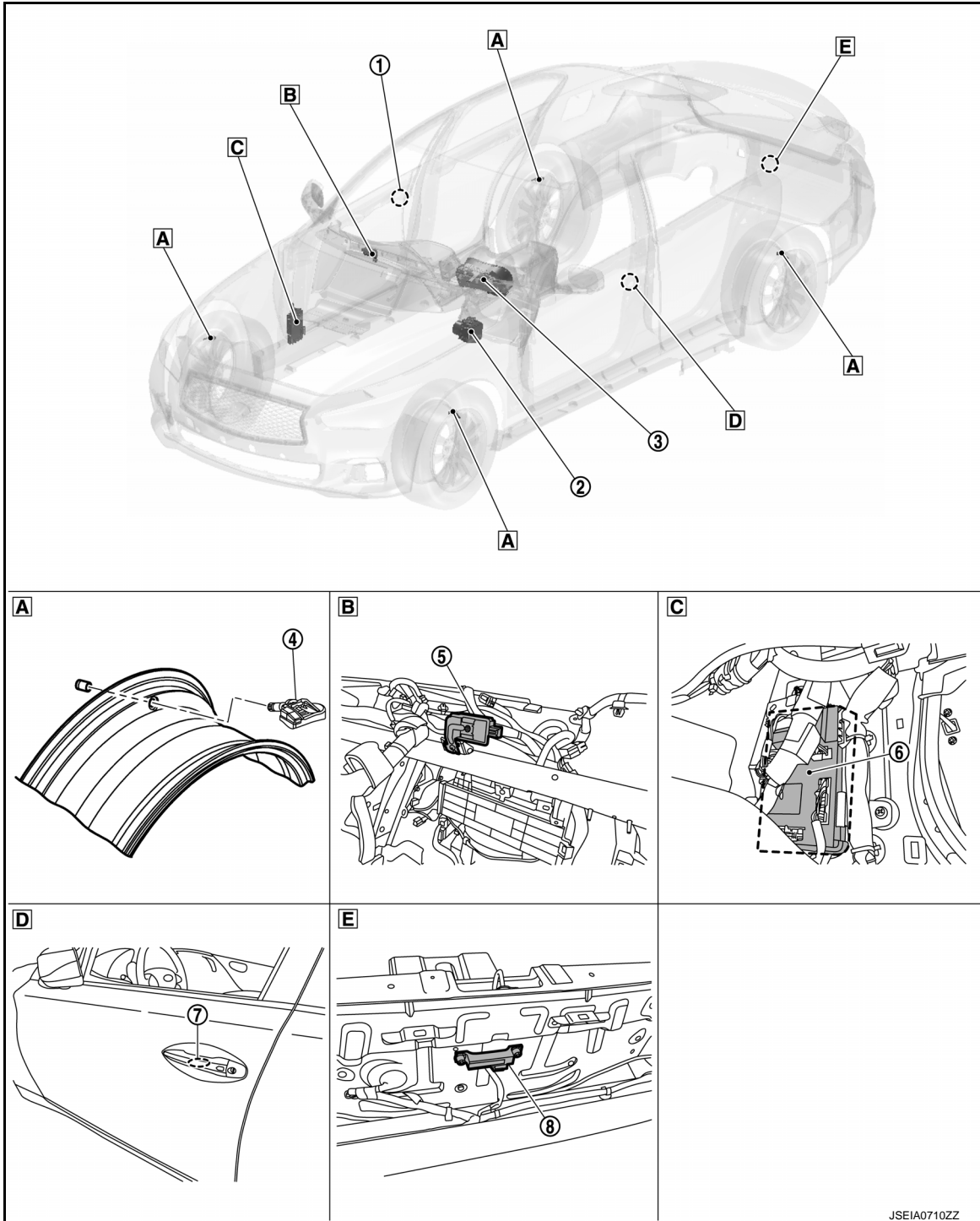
< SYSTEM DESCRIPTION >

SYSTEM DESCRIPTION

COMPONENT PARTS

Component Parts Location

INFOID:000000011286502



- A** Wheel
- B** View with instrument panel removed
- C** Behind of combination meter
- D** Part of outside door handle grip
- E** View with rear bumper fascia removed

A
B
C
D
WT
F
G
H
I
J
K
L
M
N
O
P

COMPONENT PARTS

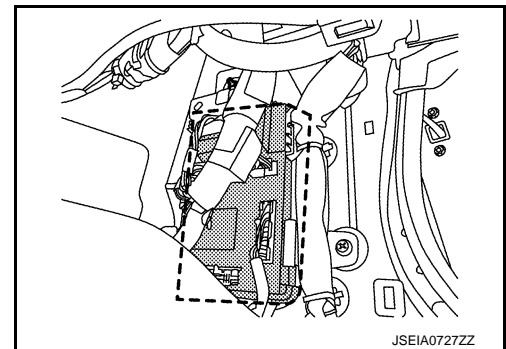
< SYSTEM DESCRIPTION >

No.	Component parts	Function
①	Outside key antenna (passenger side)	Refer to WT-9, "Outside Key Antennas" .
②	ABS actuator and electric unit (control unit)	Mainly transmits the following signals to BCM via CAN communication. <ul style="list-style-type: none"> • Vehicle speed signal
③	Combination meter	Mainly receives the following signals from BCM via CAN communication. <ul style="list-style-type: none"> • Low tire pressure warning lamp signal • TPMS malfunction warning lamp signal The combination meter will display the low tire pressure warning lamp when a low tire pressure or system malfunction is detected by the BCM. A warning message will also be displayed in the information display.
④	Tire pressure sensor	Refer to WT-8, "Tire Pressure Sensor" .
⑤	Remote keyless entry receiver (tire pressure receiver)	Refer to WT-9, "Remote Keyless Entry Receiver (Tire Pressure Receiver)" .
⑥	BCM	Refer to WT-8, "BCM" .
⑦	Outside key antenna (driver side)	Refer to WT-9, "Outside Key Antennas" .
⑧	Outside key antenna (rear bumper)	Refer to WT-9, "Outside Key Antennas" .

BCM

INFOID:000000011286503

The BCM reads the tire pressure signal received by the remote keyless entry receiver (tire pressure receiver). In addition, the BCM also uses the outside key antennas (driver side, passenger side and rear bumper) to identify the location of the tire pressure sensors. The BCM has a self-diagnosis function used to detect system malfunctions.



Tire Pressure Sensor

INFOID:000000011286504

A tire pressure sensor ① integrated with a valve is installed in each wheel ②, and transmits a detected air pressure signal in the form of a radio wave. The radio signal is received by the remote keyless entry receiver (tire pressure receiver).

⇐ : Outside

