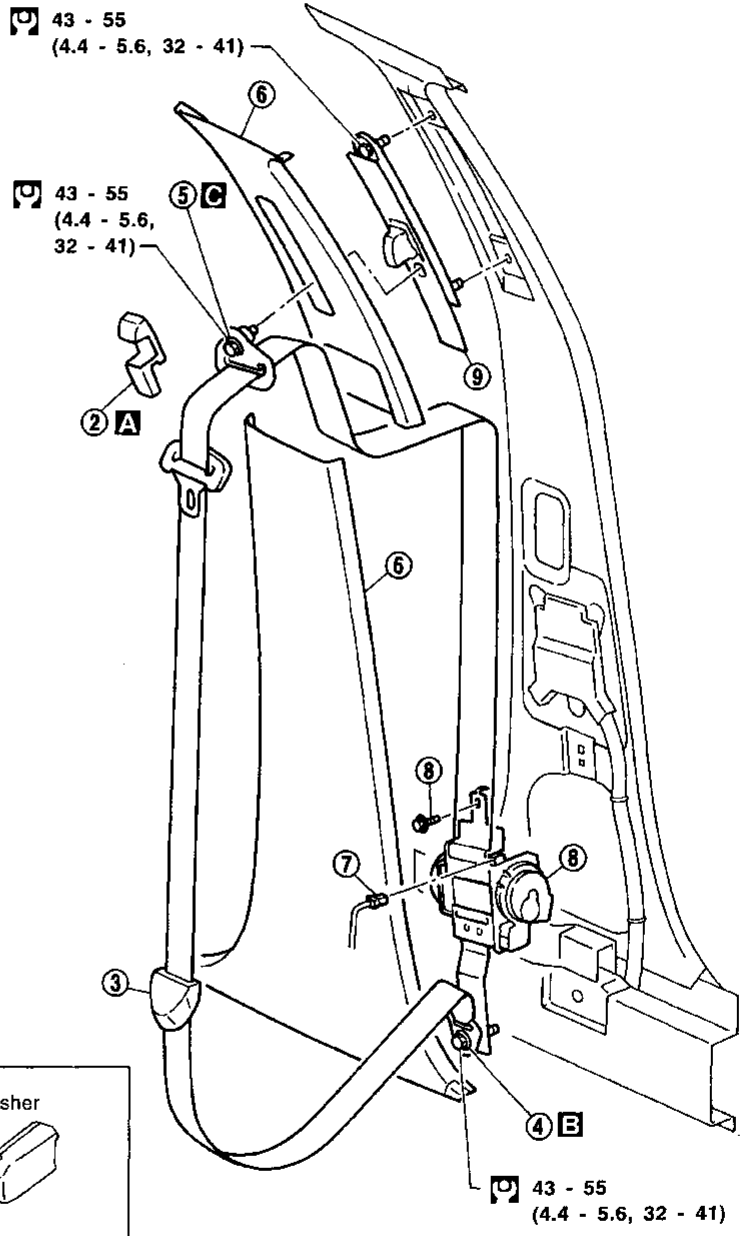
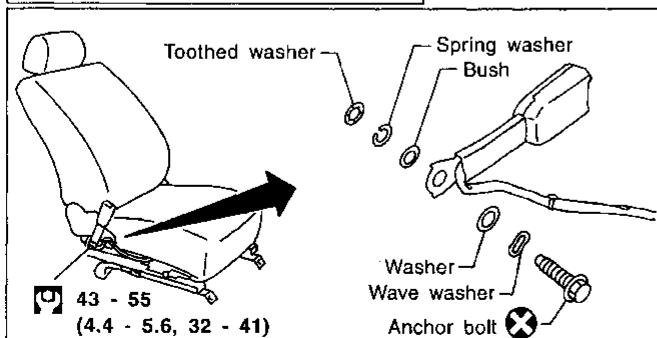
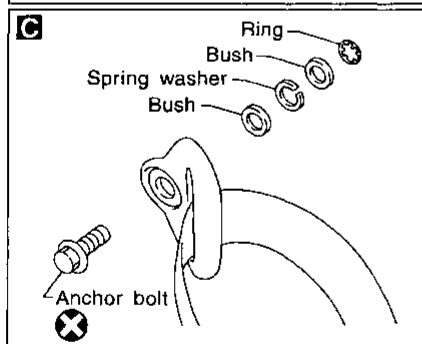
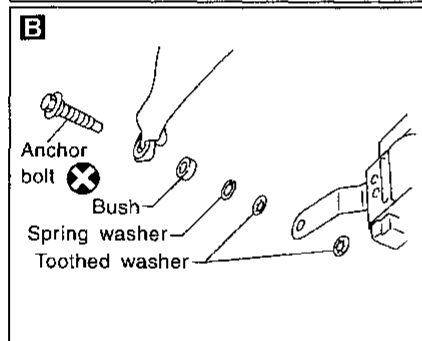
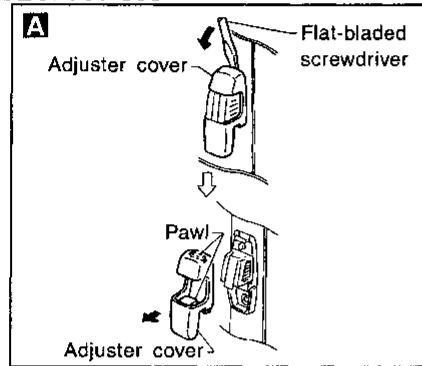


SEAT BELTS

Front Seat Belt

- ① Slide the seat all the way forward and tilt the seatback toward the front.
- ② Remove adjuster cover. **A**
- ③ Slide the anchor cover.
- ④ Remove outer anchor bolt. **B**
- ⑤ Remove shoulder anchor bolt. **C**
- ⑥ Remove center pillar upper and lower garnish. Refer to "INTERIOR TRIM" in BT section for details.
- ⑦ Disconnect seat belt pre-tensioner connector.
- ⑧ Remove the bolt securing seat belt pre-tensioner retractor, then remove seat belt and seat belt pre-tensioner retractor.
- ⑨ Remove bolt securing seat belt adjuster, then remove seat belt adjuster.

SEC. 769•868



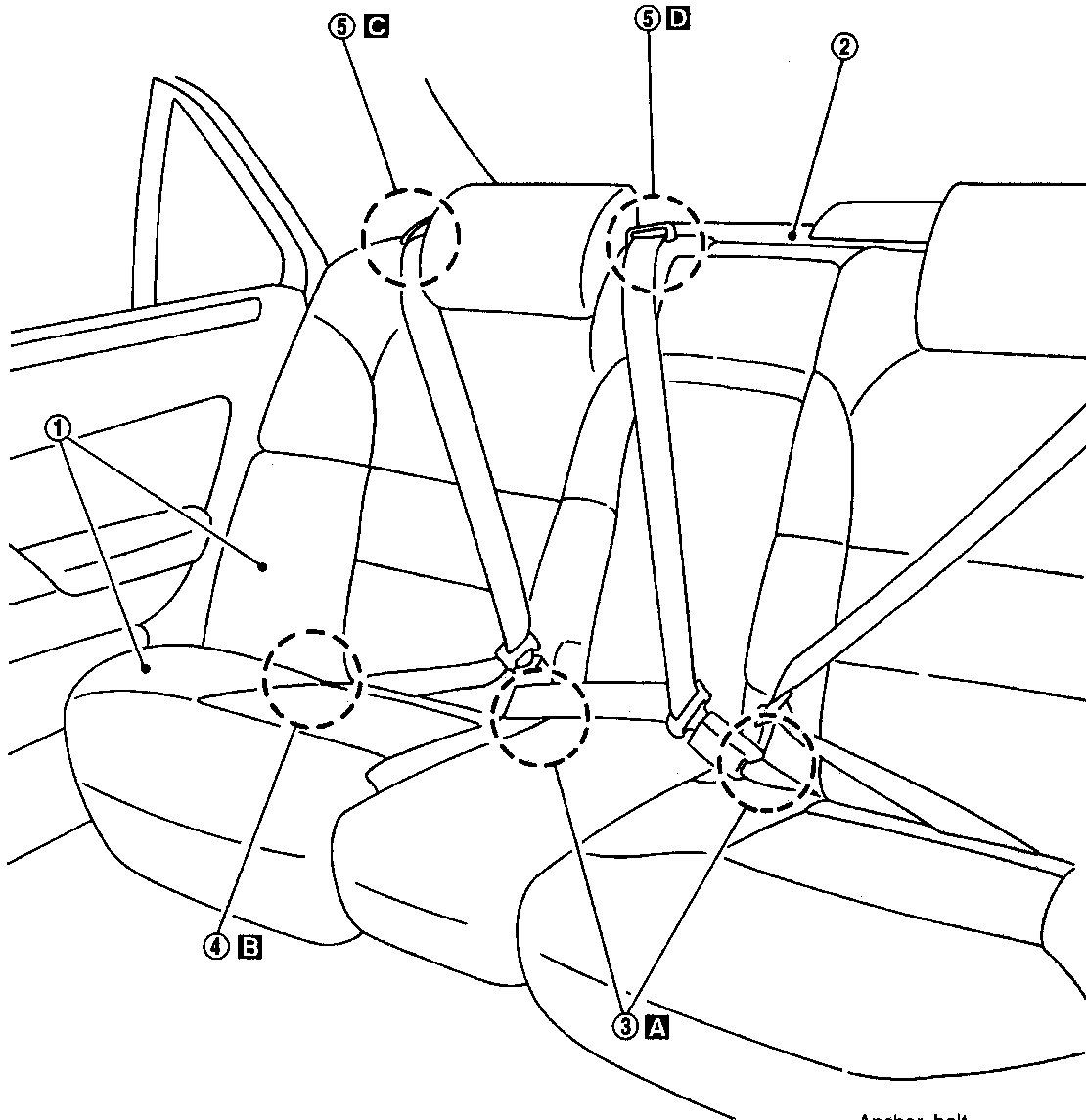
D : N·m (kg·m, ft·lb)

SEAT BELTS


Rear Seat Belt


- ① Remove rear seat. Refer to "SEAT" in BT section for details.
- ② Remove rear parcel shelf finisher. Refer to "INTERIOR TRIM" in BT section for details.
- ③ Remove inner anchor bolt. **A**
- ④ Remove outer anchor bolt. **B**
- ⑤ Remove bolt and anchor bolt securing rear seat belt retractor. **C D**

SEC. 869



Anchor bolt

 43 - 55 (4.4 - 5.6, 32 - 41)

 : N·m (kg-m, ft-lb)

SRS595

GI

MA

EM

LC

EC

FE

AT

PD

FA

RA

BR

ST

RS

BT

HA

EL

IDX