

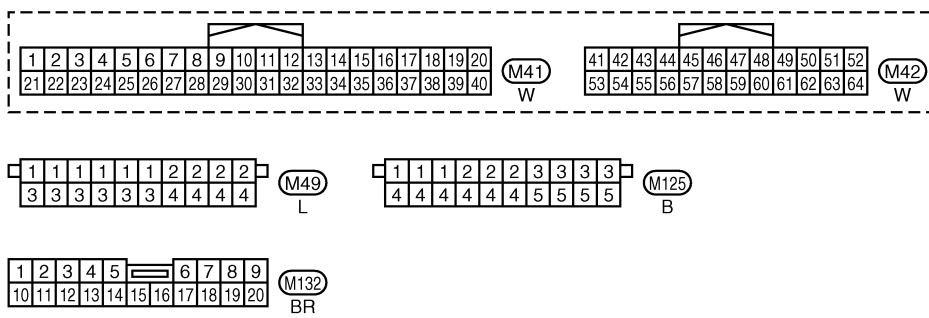
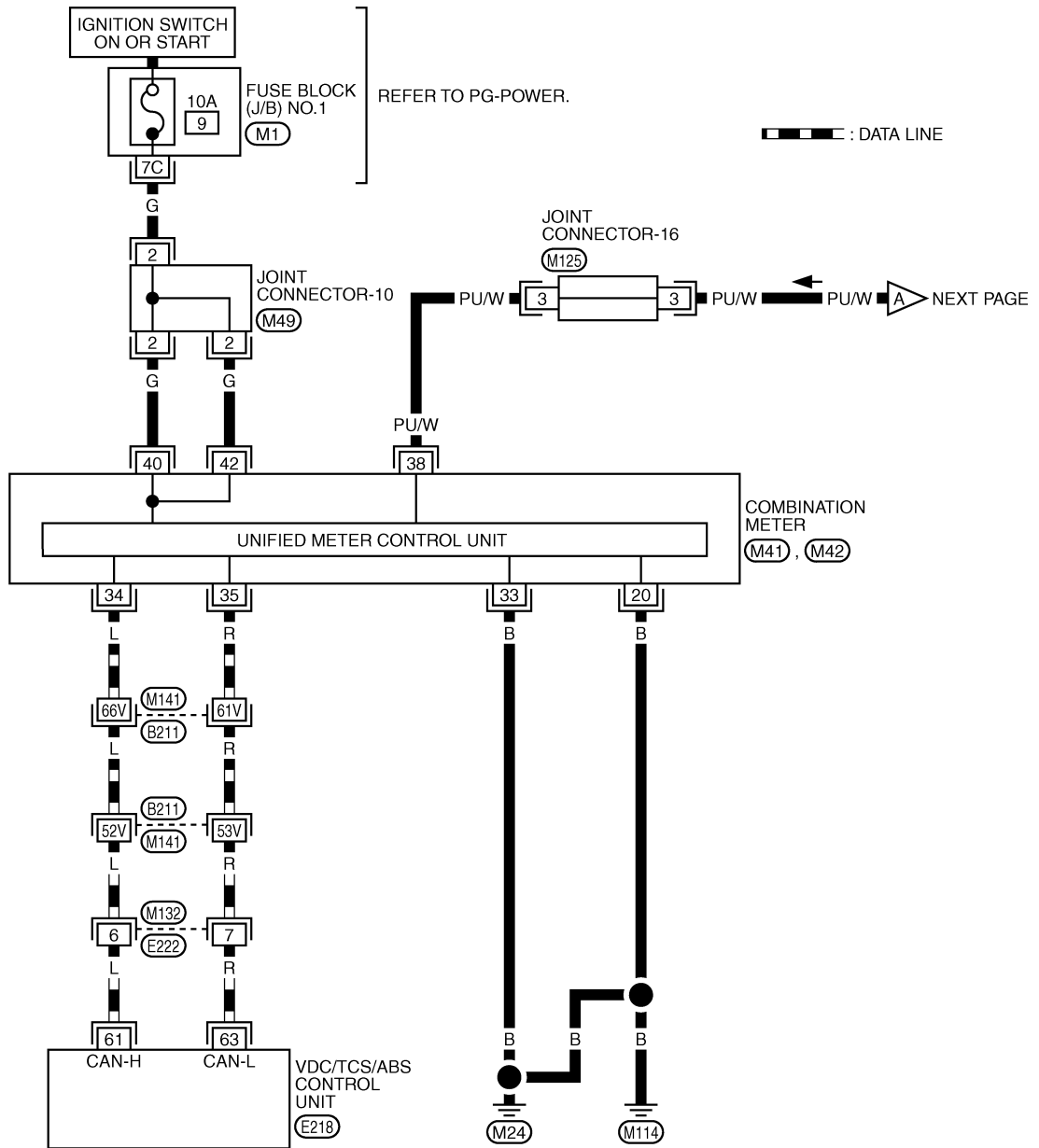
# ELECTRICALLY CONTROLLED POWER STEERING SYSTEM

[EPS]

## Wiring Diagram

AGS0009N

STC-EPS-01



REFER TO THE FOLLOWING.

- (B211) -SUPER MULTIPLE JUNCTION (SMJ)
- (M1) -FUSE BLOCK-JUNCTION BOX (J/B) NO.1
- (E218) -ELECTRICAL UNITS

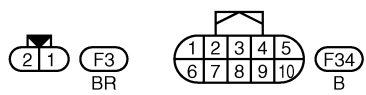
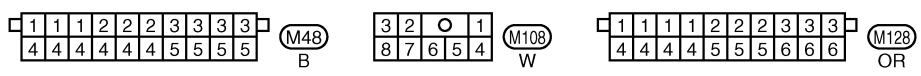
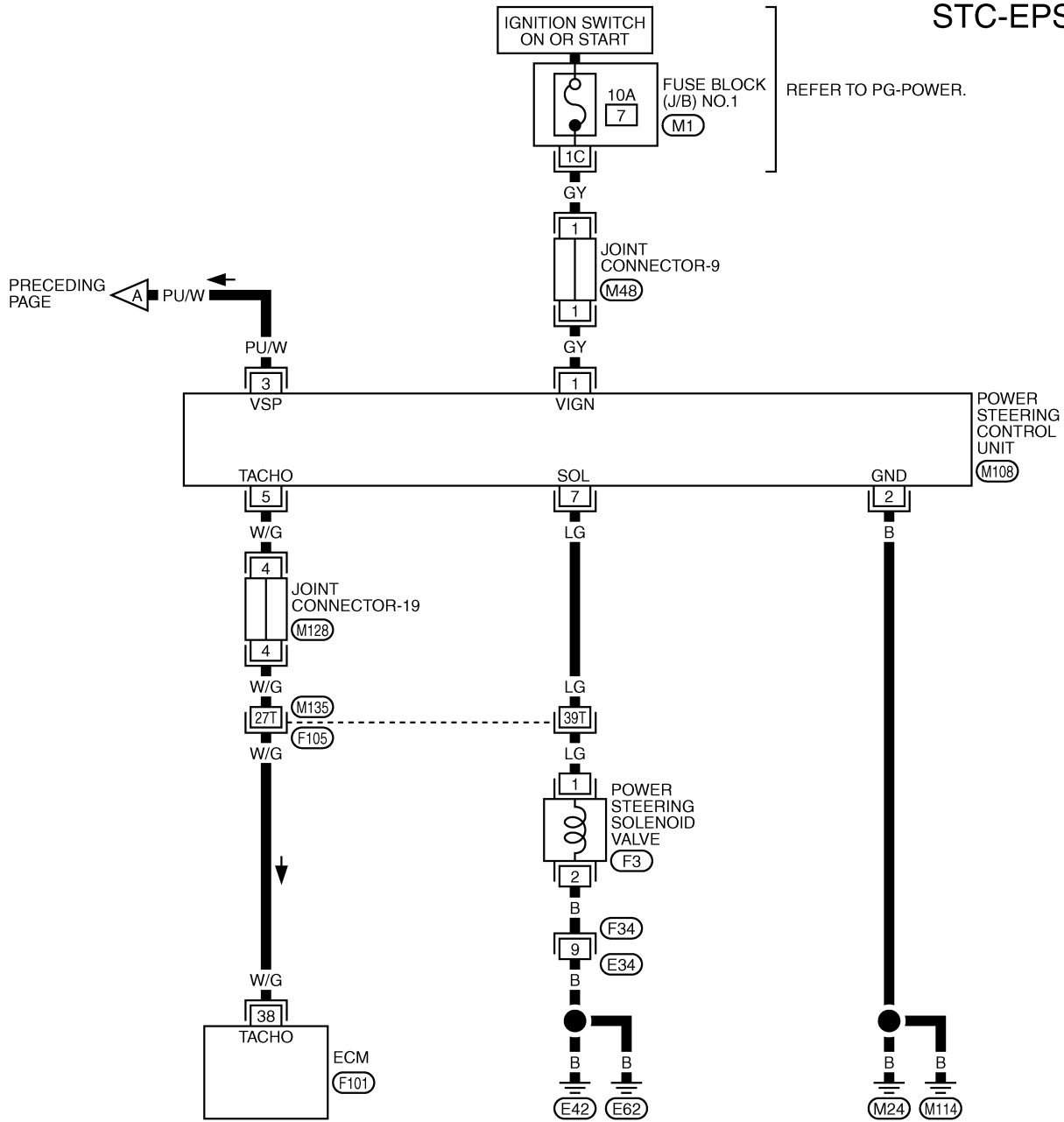
TGWA0008E

# ELECTRICALLY CONTROLLED POWER STEERING SYSTEM

[EPS]

STC-EPS-02

A  
B  
C  
D  
E  
F  
STC  
H  
I  
J  
K  
L  
M



REFER TO THE FOLLOWING.  
 (F105) -SUPER MULTIPLE JUNCTION (SMJ)  
 (M1) -FUSE BLOCK-JUNCTION BOX (J/B) NO.1  
 (F101) -ELECTRICAL UNITS

TGWA0009E