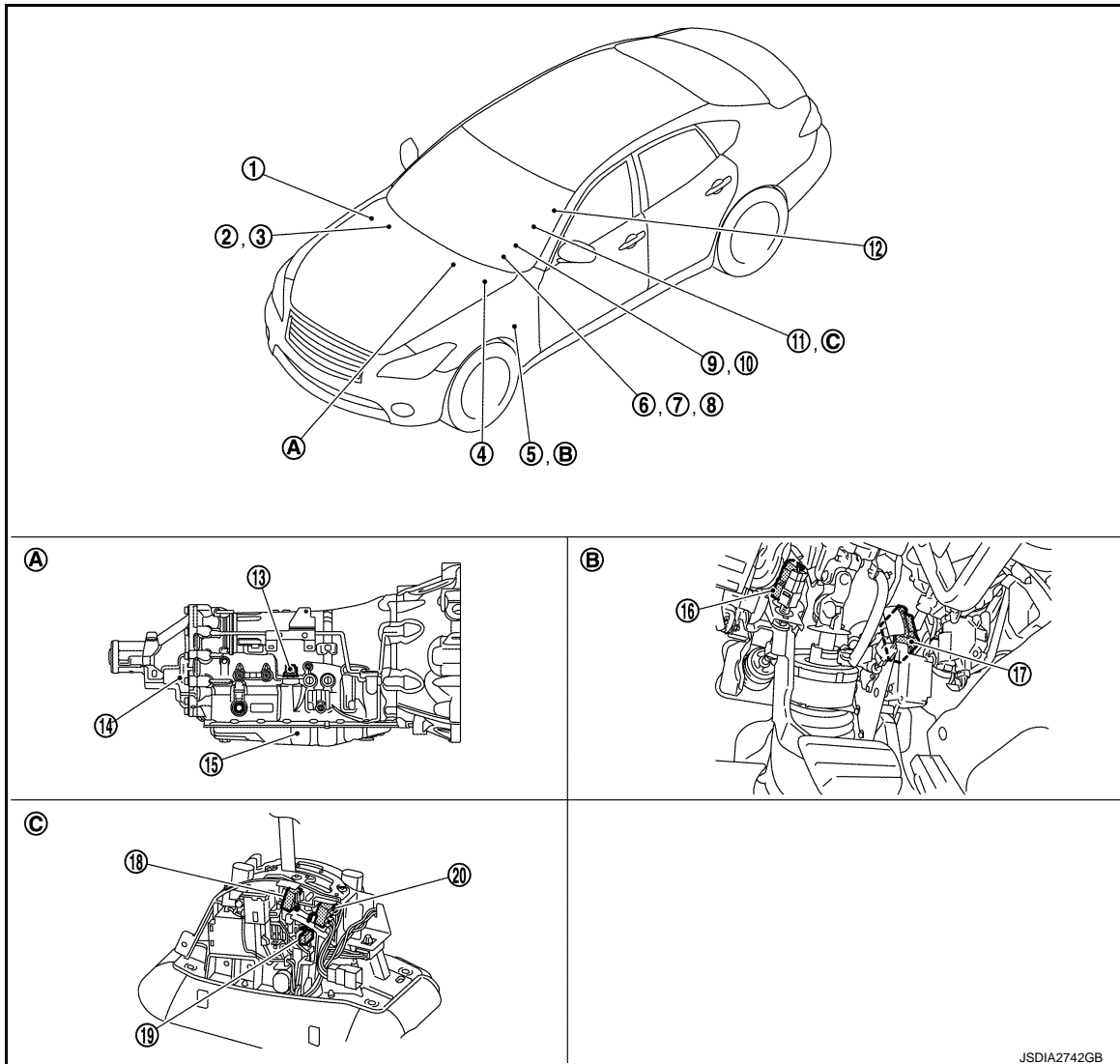


SYSTEM DESCRIPTION

COMPONENT PARTS A/T CONTROL SYSTEM

A/T CONTROL SYSTEM : Component Parts Location

INFOID:000000008131367



- | | | |
|---|--|--|
| 1. IPDM E/R
Refer to PCS-5, "IPDM E/R : Component Parts Location" . | 2. ECM
Refer to EC-37, "ENGINE CONTROL SYSTEM : Component Parts Location" (VQ37VHR), EC-948, "ENGINE CONTROL SYSTEM : Component Parts Location" (VK56VD). | 3. A/C auto amp.
Refer to HAC-6, "AUTOMATIC AIR CONDITIONING SYSTEM : Component Parts Location" . |
| 4. ABS actuator and electric unit (control unit)
Refer to BRC-10, "Component Parts Location" . | 5. BCM
Refer to BCS-4, "BODY CONTROL SYSTEM : Component Parts Location" . | 6. Combination meter
Refer to MWI-6, "METER SYSTEM : Component Parts Location" . |
| 7. A/T CHECK indicator lamp
(On the combination meter) | 8. Shift position indicator
(In the information display LCD in the combination meter) | 9. Paddle shifter (shift-down)*1 |