

TROUBLE DIAGNOSIS

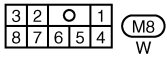
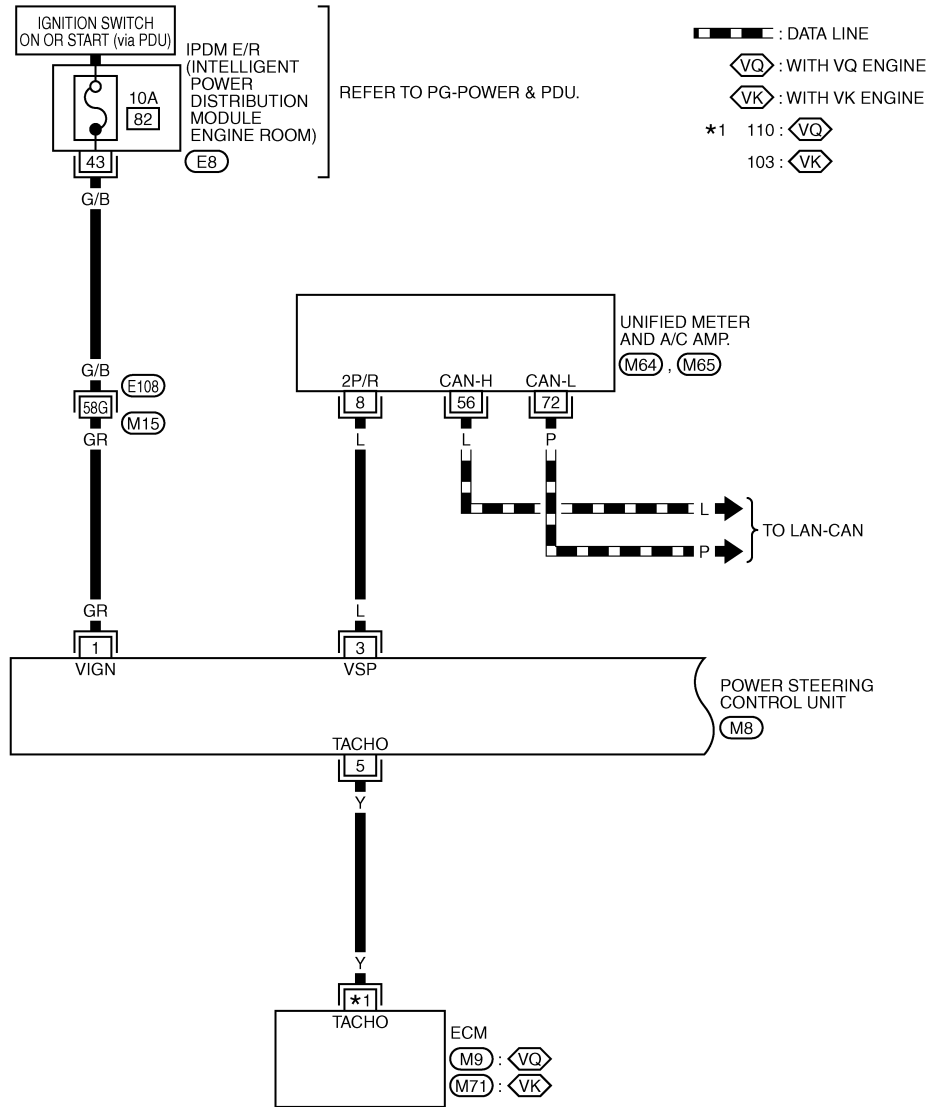
< SERVICE INFORMATION >

[EPS]

Wiring Diagram - EPS -

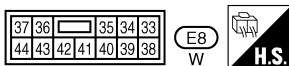
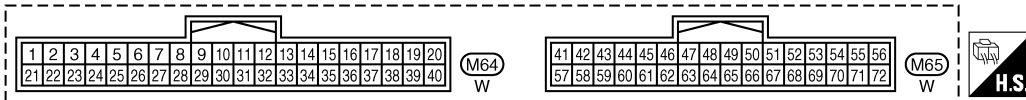
INFOID:000000005355574

STC-EPS-01



REFER TO THE FOLLOWING.

- (E108) -SUPER MULTIPLE JUNCTION (SMJ)
- (M9), (M71) -ELECTRICAL UNITS



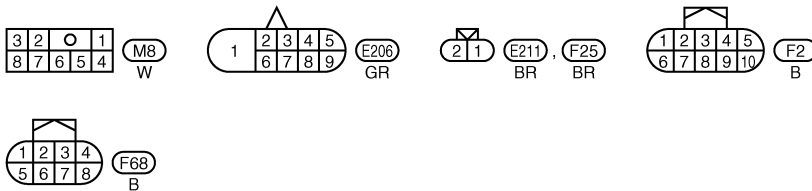
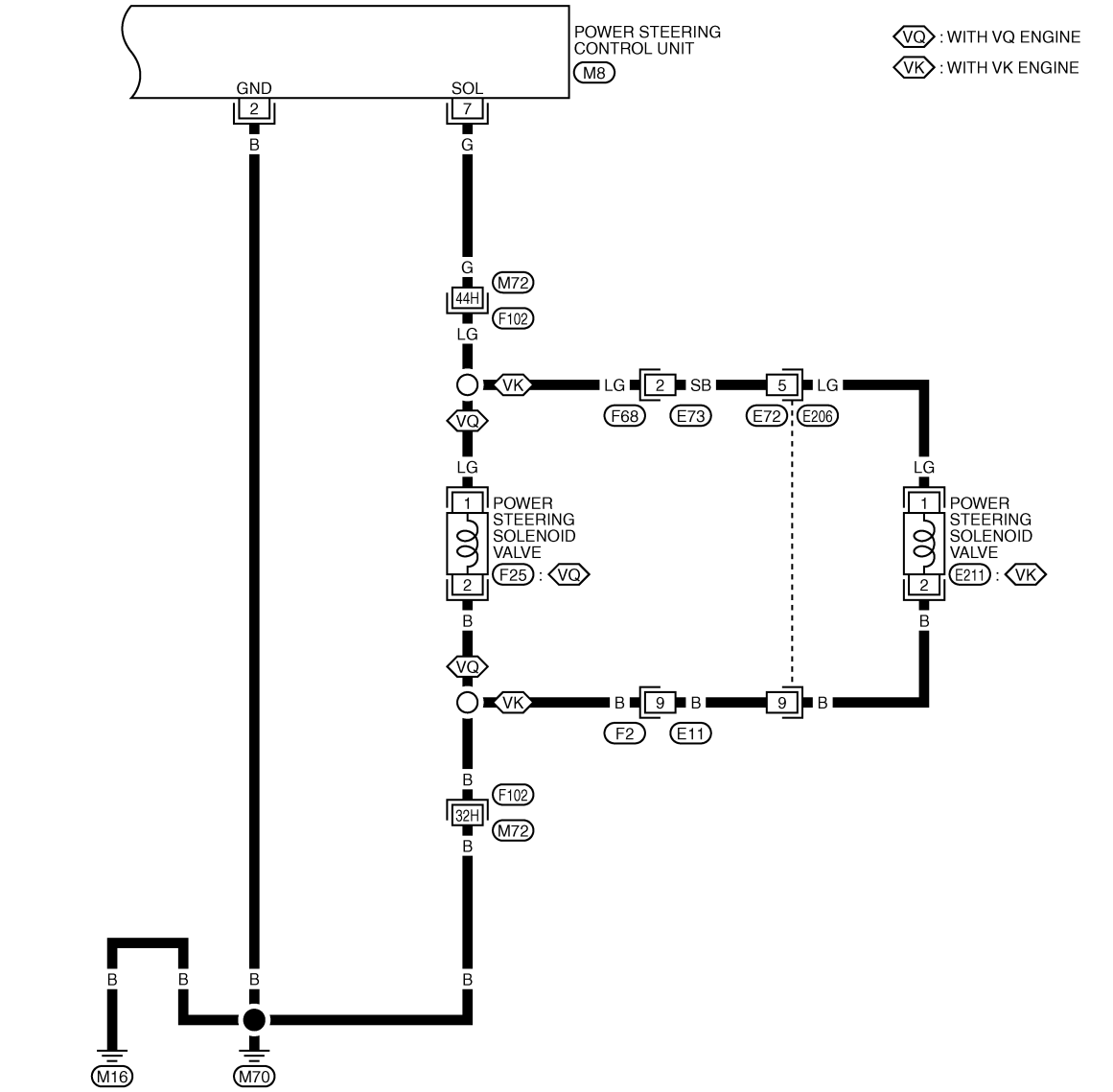
TGWT0159E

TROUBLE DIAGNOSIS

< SERVICE INFORMATION >

[EPS]

STC-EPS-02



REFER TO THE FOLLOWING.
(F102) -SUPER MULTIPLE JUNCTION (SMJ)

TGWT0160E

Control Unit Input/Output Signal Standard

STANDARD BY CIRCUIT TESTER AND OSCILLOSCOPE

CAUTION:

When checked using a circuit tester for voltage measurement, connector terminals should not be forcefully extended.

INFOID:000000005355575