

# HEATED STEERING WHEEL

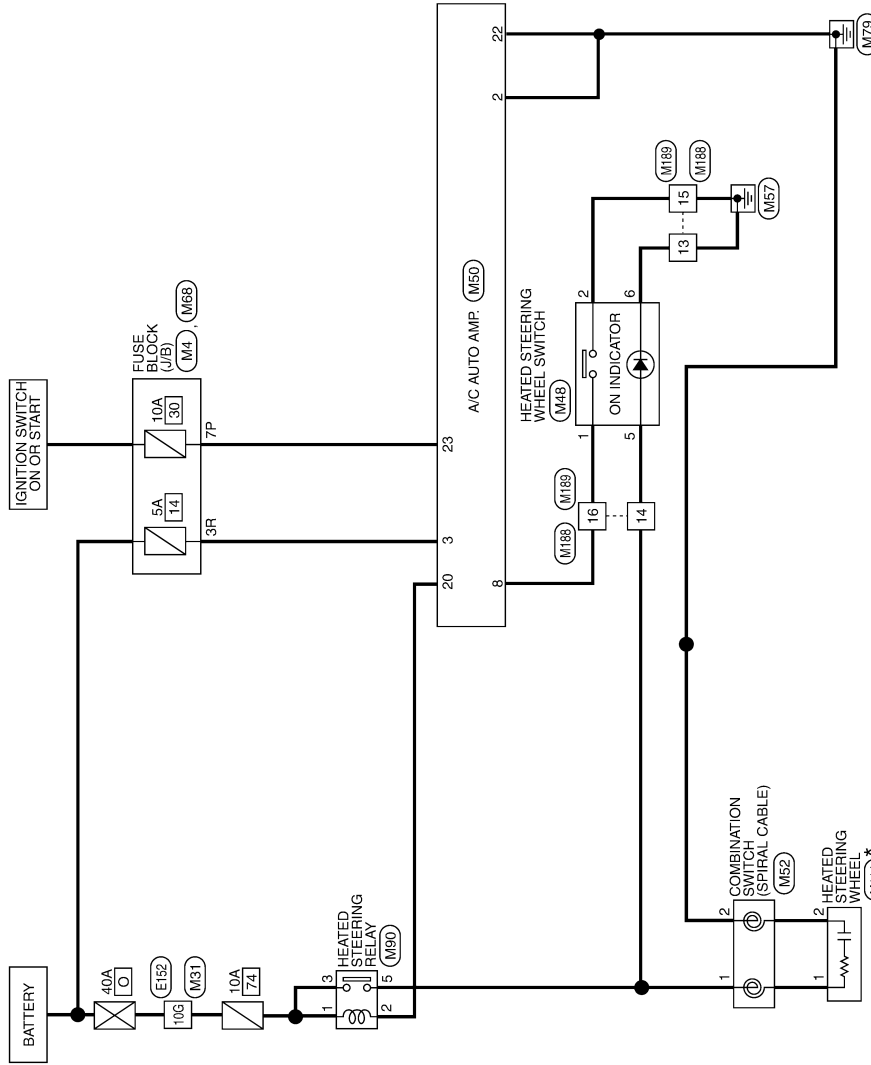
< WIRING DIAGRAM >

## HEATED STEERING WHEEL

Wiring Diagram

INFOID:000000011146694

### HEATED STEERING WHEEL



\* : THIS CONNECTOR IS NOT SHOWN IN "HARNES LAYOUT" OF PG SECTION.

ABGWA0054GB

A  
B  
C  
D  
E  
F  
ST  
H  
I  
J  
K  
L  
M  
N  
O  
P

# HEATED STEERING WHEEL

< WIRING DIAGRAM >

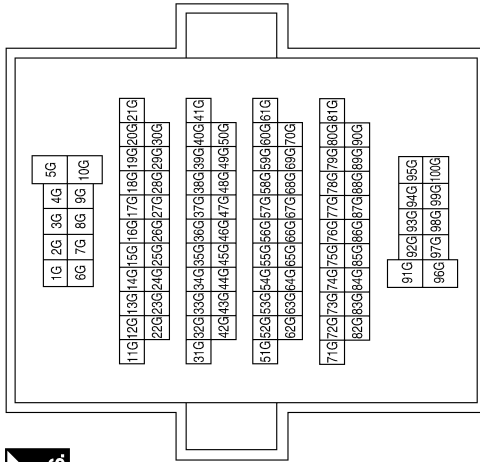
## HEATED STEERING WHEEL CONNECTORS

Connector No.	M4
Connector Name	FUSE BLOCK (J/B)
Connector Color	WHITE



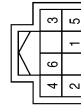
Terminal No.	Color of Wire	Signal Name
7P	LG	-

Connector No.	M31
Connector Name	WIRE TO WIRE
Connector Color	WHITE



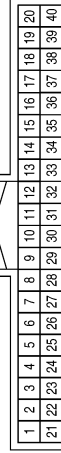
Terminal No.	Color of Wire	Signal Name
10G	W	-

Connector No.	M48
Connector Name	HEATED STEERING WHEEL SWITCH
Connector Color	BLUE



Terminal No.	Color of Wire	Signal Name
1	G	-
2	GR	-
5	Y	-
6	B	-

Connector No.	M50
Connector Name	A/C AUTO AMP.
Connector Color	WHITE



Terminal No.	Color of Wire	Signal Name
20	BR	STRG HTR RLY
22	GR	GND (POWER)
23	LG	IGN

Terminal No.	Color of Wire	Signal Name
2	GR	GND
3	G	BATT
8	G	STRG HTR SW