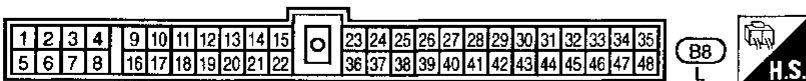
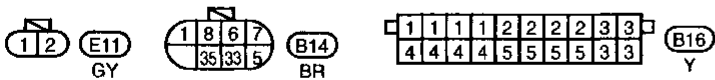
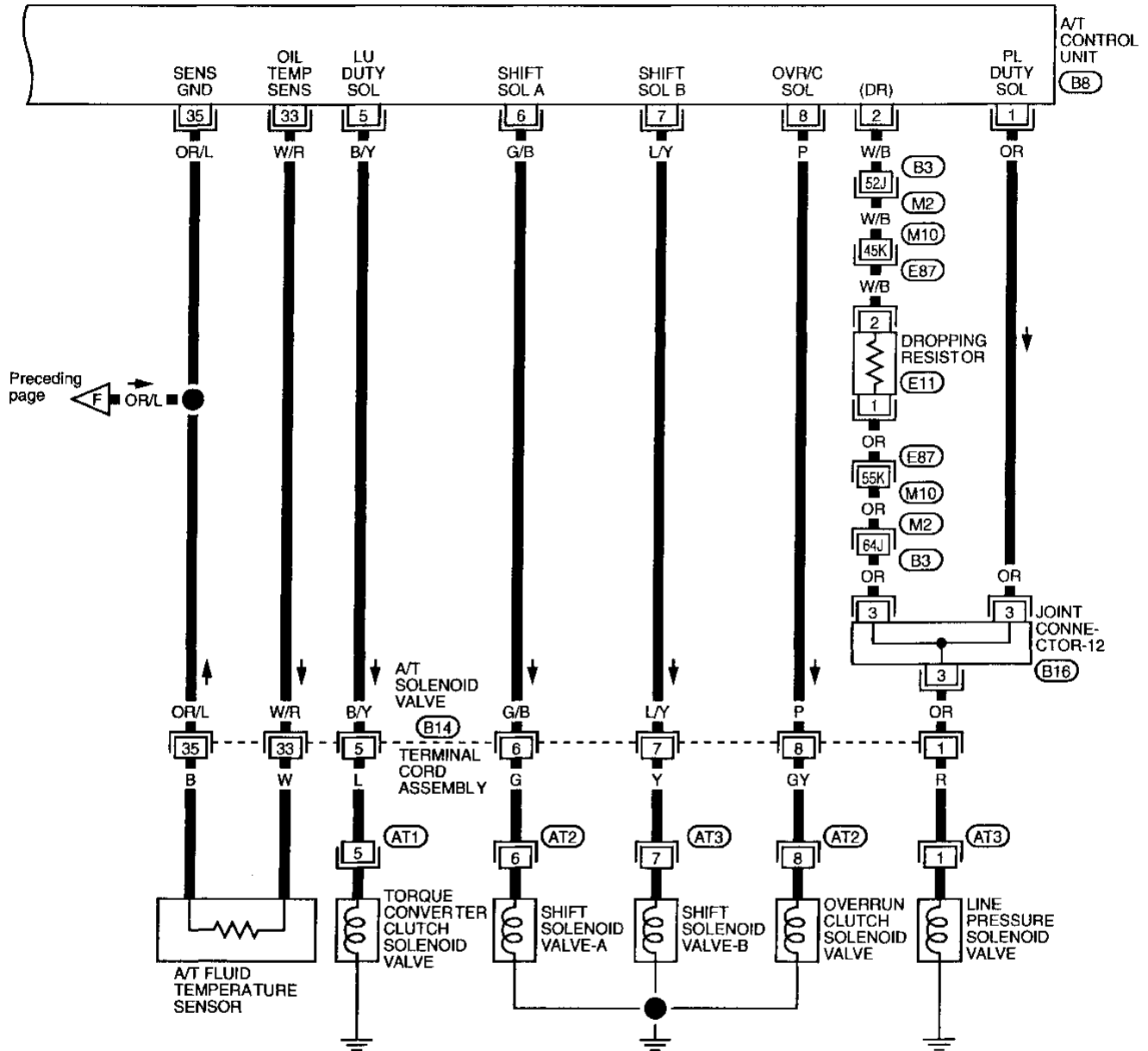


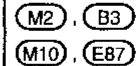
# TROUBLE DIAGNOSES

## Wiring Diagram — AT —

AT-A/T-07



Refer to last page (Foldout page).



# BRAKE SYSTEM

## SECTION **BR**

GI

MA

EM

LC

EC

FE

AT

PD

FA

RA

**BR**

ST

RS

BT

HA

EL

IDX

### MODIFICATION NOTICE:

- The anti-lock brake system (ABS) has been changed.

## CONTENTS

<b>BRAKE HYDRAULIC LINE</b> .....	2	Diagnostic Procedure 2 (ABS actuator solenoid valve) .....	30
<b>ANTI-LOCK BRAKE SYSTEM</b> .....	3	Diagnostic Procedure 3 (Solenoid valve relay).....	31
Purpose.....	3	Diagnostic Procedure 4 (Motor relay or motor).....	34
Operation .....	3	Diagnostic Procedure 5 (Low voltage) .....	37
ABS Hydraulic Circuit .....	3	Diagnostic Procedure 6 (Control unit).....	38
System Components .....	4	<b>TROUBLE DIAGNOSES FOR SYMPTOMS</b> .....	39
System Description.....	4	Diagnostic Procedure 7	
Removal and Installation .....	6	(ABS works frequently.) .....	39
<b>TROUBLE DIAGNOSES</b> .....	9	Diagnostic Procedure 8	
How to Perform Trouble Diagnoses for Quick		(Unexpected pedal action).....	40
and Accurate Repair .....	9	Diagnostic Procedure 9	
Preliminary Check.....	10	(Long stopping distance) .....	40
Component Parts and Harness Connector		Diagnostic Procedure 10	
Location .....	11	(ABS does not work.) .....	41
Circuit Diagram for Quick Pinpoint Check.....	12	Diagnostic Procedure 11	
Wiring Diagram — ABS — .....	13	(Pedal vibration and noise).....	41
Self-diagnosis .....	18	Diagnostic Procedure 12 (Warning lamp does	
<b>CONSULT</b> .....	21	not come on when ignition switch is turned on.).....	42
<b>CONSULT</b> Inspection Procedure.....	22	Diagnostic Procedure 13 (Warning lamp stays on	
Ground Circuit Check .....	27	when ignition switch is turned on.).....	44
<b>TROUBLE DIAGNOSES FOR SELF-DIAGNOSTIC</b>		Electrical Component Inspection.....	47
<b>ITEMS</b> .....	28		
Diagnostic Procedure 1 (Wheel sensor or rotor) .....	28		