

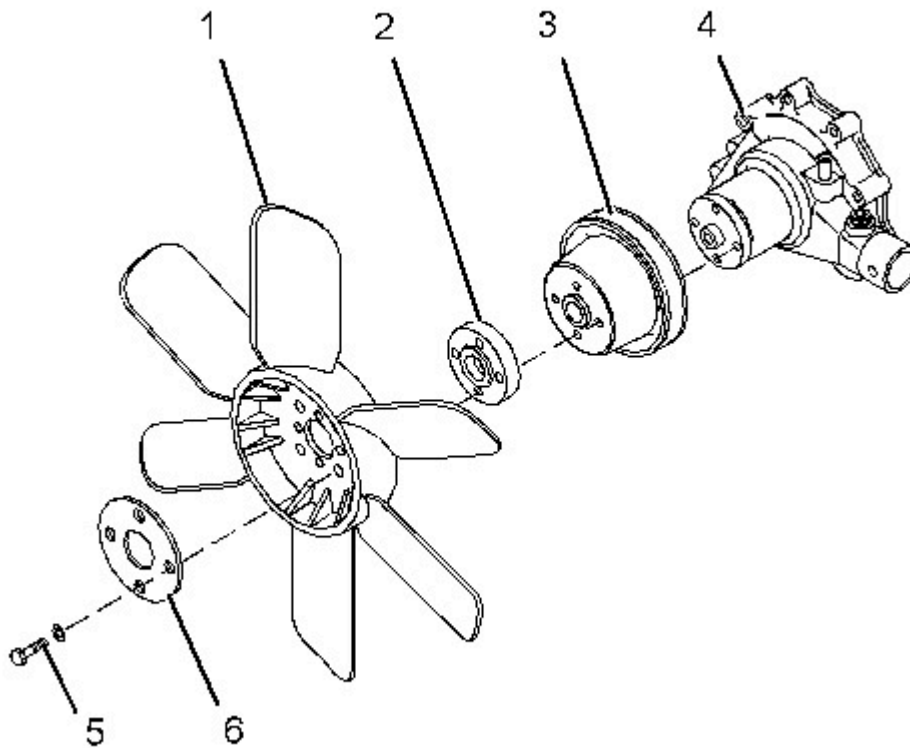
## Fan - Remove and Install

SMCS - 1356-010

### Removal Procedure

**Start By:**

- A. Remove the V-Belt. Refer to Disassembly and Assembly, "V-Belts - Remove and Install".



---

Illustration 1

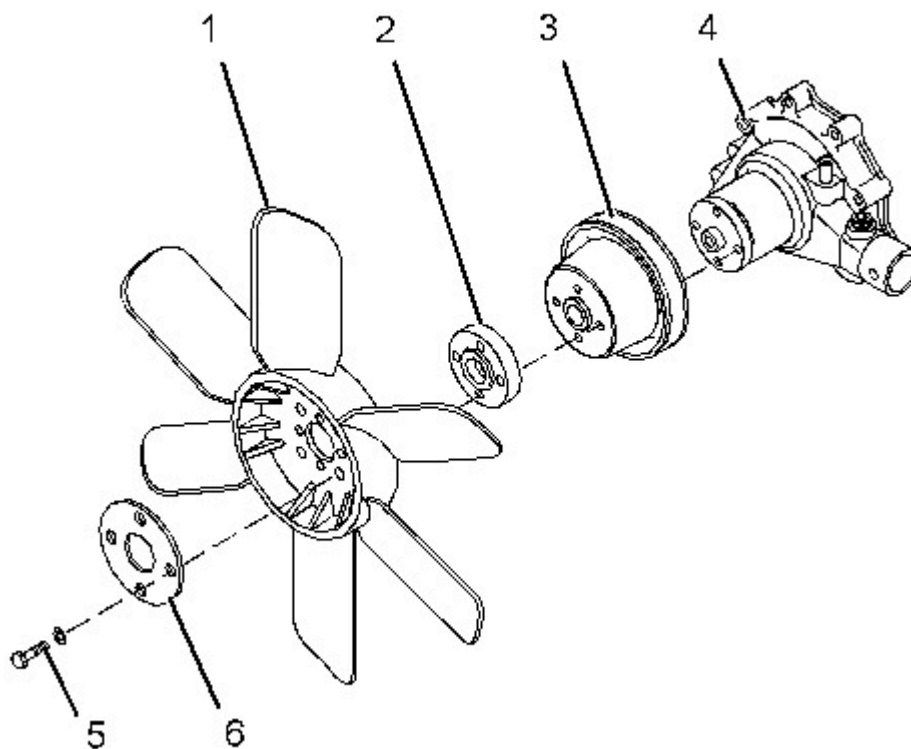
g01343637

Typical example

1. Remove bolts (5) and plate (6) .
2. Remove fan (1). Note the orientation of the fan for installation.
3. If the engine is equipped with a spacer, remove spacer (2) .
4. Remove pulley (3) from water pump (4) .

## Installation Procedure

1. Ensure that all components are free from wear or damage. If necessary, replace any components that are worn or damaged.



---

Illustration 2

g01343637

Typical example

2. Position fan pulley (3) onto water pump (4) .
3. If the engine is equipped with a spacer, position spacer (2) onto pulley (3) .
4. Install fan (1), plate (6), and bolts (5) .

**Note:** Ensure that the fan is correctly oriented.

5. Tighten bolts (5) to a torque of 18 N·m (13 lb ft).

**End By:** Install the V-Belt. Refer to Disassembly and Assembly, "V-Belts - Remove and Install".

---

## Disassembly and Assembly

### C3.4 Engines for Caterpillar Built Machines

Media Number -KENR6941-04

Publication Date -01/03/2012

Date Updated -01/03/2012

i02639317

## Alternator - Remove and Install

SMCS - 1405-010

### Removal Procedure

#### Start By:

- A. Remove the V-Belt. Refer to Disassembly and Assembly, "V-Belts - Remove and Install".

---

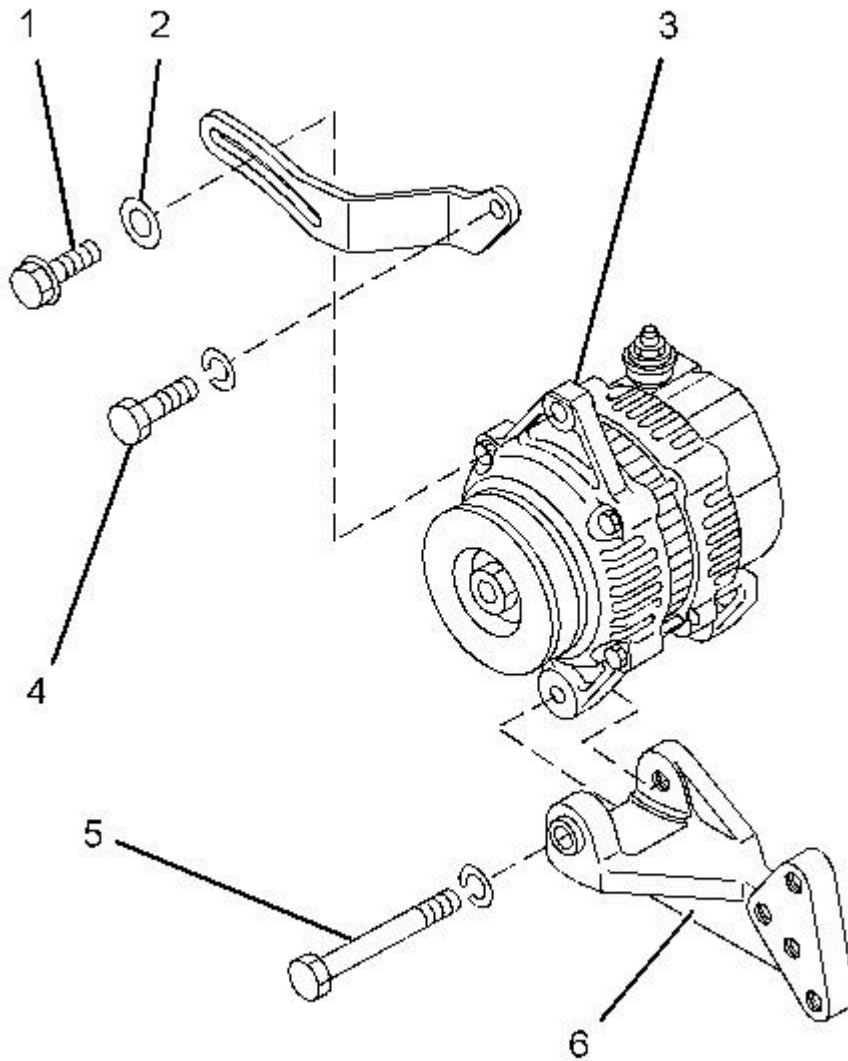
#### NOTICE

**Keep all parts clean from contaminants.**

**Contaminants may cause rapid wear and shortened component life.**

---

1. Turn the battery disconnect switch to the OFF position.
  2. Make temporary identification marks on the connections of the harness assembly.
-



---

Illustration 1

g01343570

Typical Example

3. Disconnect the harness assembly from alternator (3) .
4. Loosen bolt (4). Remove bolt (1) and washer (2) from alternator (3) .
5. Remove bolt (5) from alternator (3). Remove the alternator from alternator bracket (6) .

## Installation Procedure

---