

FUEL SYSTEM

4P-9658 LINES GP-FUEL INJECTION

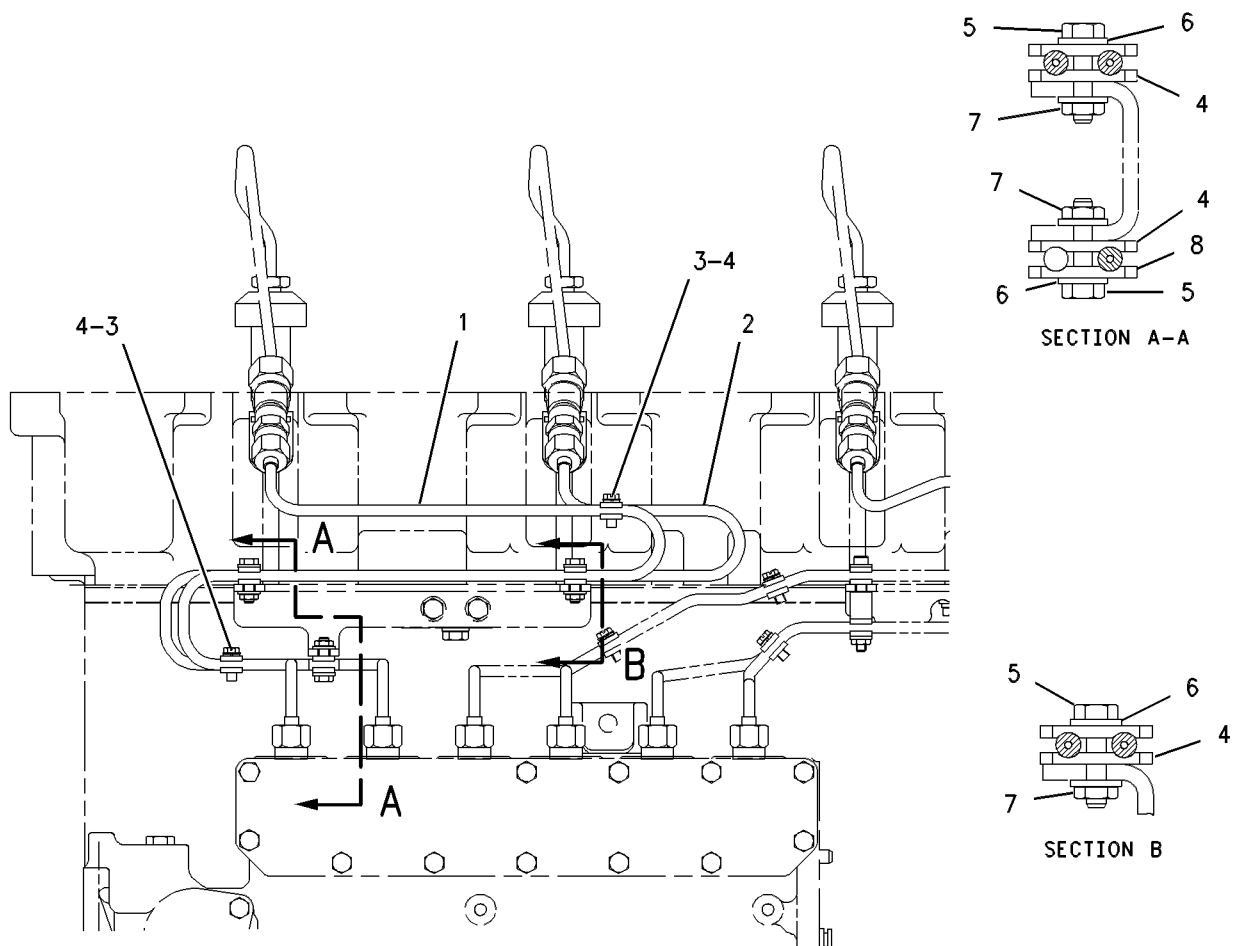
S/N: 1DZ6500-UP

PART OF 131-0188, 9Y-3070 LINES GP-FUEL INJECTION
ALSO AN ATTACHMENT

SMCS-1252, 1254

i01408125

NOTE	REF NO	GRAPHIC REF	PART NUMBER	QTY	PART NAME						SEE PAGE
					1	2	3	4	5	6 (PRODUCT LEVEL)	
	1	1	191-7941	1	LINE AS-FUEL INJECTION						
	2	1	191-7942	1	LINE AS-FUEL INJECTION						
	3	1	1W-9169	2	CLAMP-FUEL LINE (THREADED)						
		1	5P-4939	2	SCREW-MACHINE (10-24X15.88-IN)						
	4	1	1W-9168	7	CLAMP-FUEL LINE (NON-THREADED)						
	5	1	7M-9831	3	SCREW-MACHINE (10-24X0.88-IN)						
	6	1	6V-7699	6	WASHER-HARD (5.5X13X1.6-MM THK)						
	7	1	4B-2047	3	NUT (10-24-THD)						
	8	1	1W-9167	1	CLAMP AS-FUEL LINE						



GRAPHIC #1

<END>

g00613341

FUEL SYSTEM

4P-9659 LINES GP-FUEL INJECTION

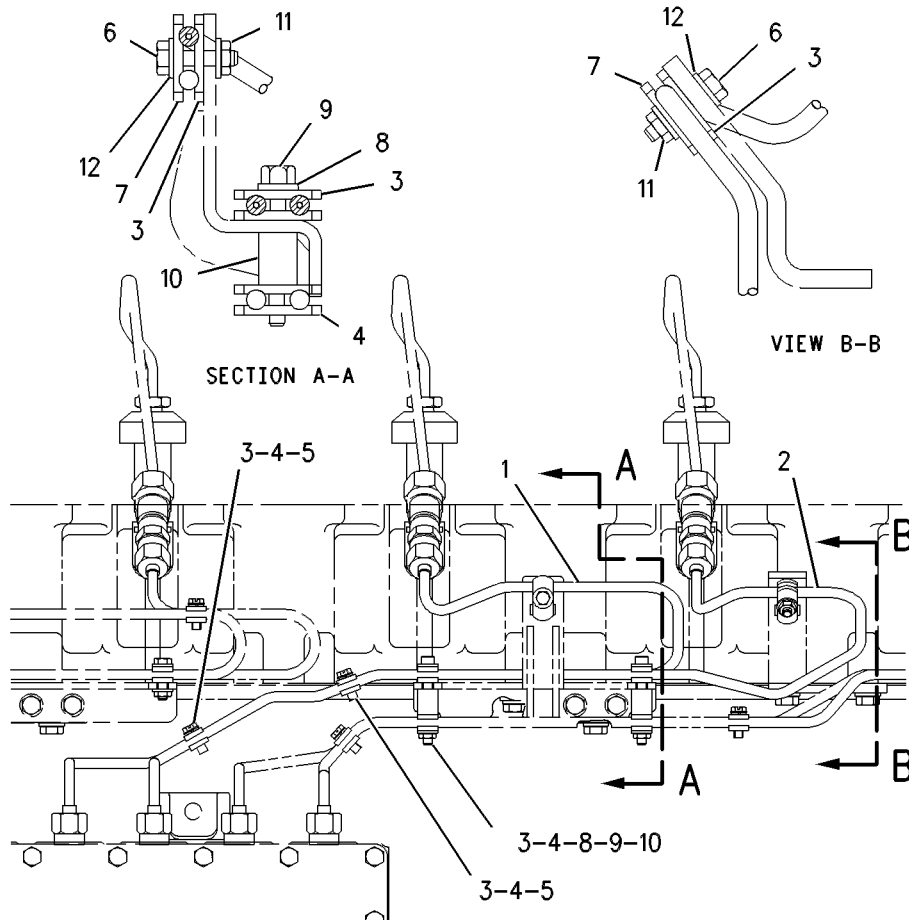
S/N: 1DZ1-UP

PART OF 131-0188, 9Y-3070 LINES GP-FUEL INJECTION
ALSO AN ATTACHMENT

SMCS-1252, 1254

i01408275

NOTE	REF NO	GRAPHIC REF	PART NUMBER	QTY	PART NAME						SEE PAGE
					1	2	3	4	5	6 (PRODUCT LEVEL)	
	1	1	191-7943	1	LINE AS-FUEL INJECTION						
	2	1	191-7944	1	LINE AS-FUEL INJECTION						
	3	1	1W-9168	8	CLAMP-FUEL LINE (NON-THREADED)						
	4	1	1W-9169	4	CLAMP-FUEL LINE (THREADED)						
	5	1	5P-4939	2	SCREW-MACHINE (10-24X15.88-IN)						
	6	1	7M-9910	2	SCREW-MACHINE (10-24X1-IN)						
	7	1	1W-9167	2	CLAMP AS-FUEL LINE						
	8	1	4B-4274	2	WASHER (5.5X13X1.2-MM THK)						
	9	1	104-3038	2	SCREW-MACHINE						
	10	1	144-3517	2	CLAMP AS						
	11	1	4B-2047	2	NUT (10-24-THD)						
	12	1	6V-7699	4	WASHER-HARD (5.5X13X1.6-MM THK)						



GRAPHIC #1

<END>

g00604629

FUEL SYSTEM

4P-9660 LINES GP-FUEL INJECTION

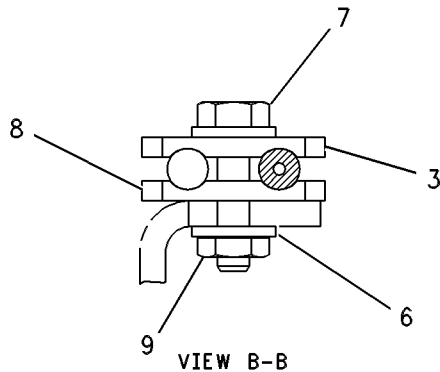
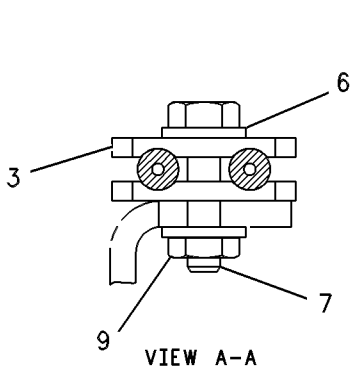
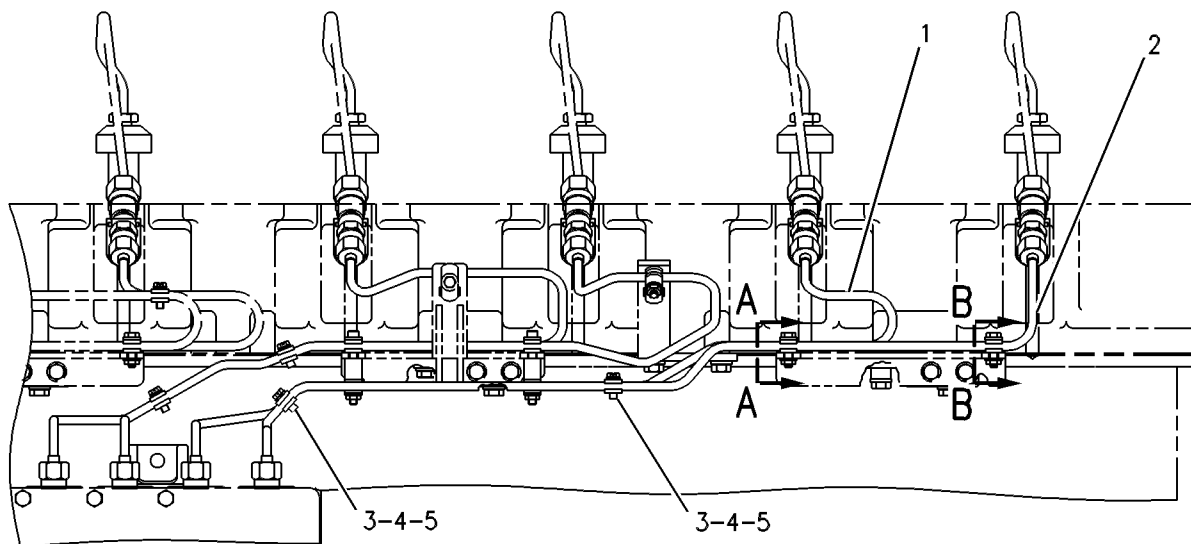
S/N: 1DZ1-UP

PART OF 131-0188, 9Y-3070 LINES GP-FUEL INJECTION
ALSO AN ATTACHMENT

SMCS-1252, 1254

i01408191

NOTE	REF NO	GRAPHIC REF	PART NUMBER	QTY	PART NAME						SEE PAGE
					1	2	3	4	5	6 (PRODUCT LEVEL)	
	1	1	191-7945	1	LINE AS-FUEL INJECTION						
	2	1	191-7946	1	LINE AS-FUEL INJECTION						
	3	1	1W-9168	5	CLAMP-FUEL LINE (NON-THREADED)						
	4	1	1W-9169	2	CLAMP-FUEL LINE (THREADED)						
	5	1	5P-4939	2	SCREW-MACHINE (10-24X15.88-IN)						
	6	1	6V-7699	4	WASHER-HARD (5.5X13X1.6-MM THK)						
	7	1	7M-9831	2	SCREW-MACHINE (10-24X0.88-IN)						
	8	1	1W-9167	1	CLAMP AS-FUEL LINE						
	9	1	4B-2047	2	NUT (10-24-THD)						



GRAPHIC #1

<END>

g00286206