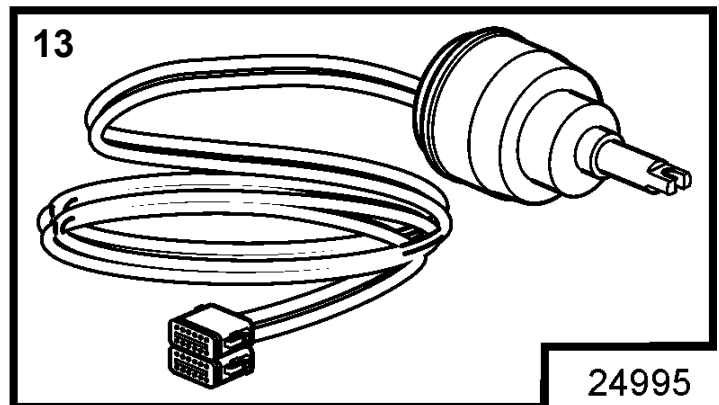
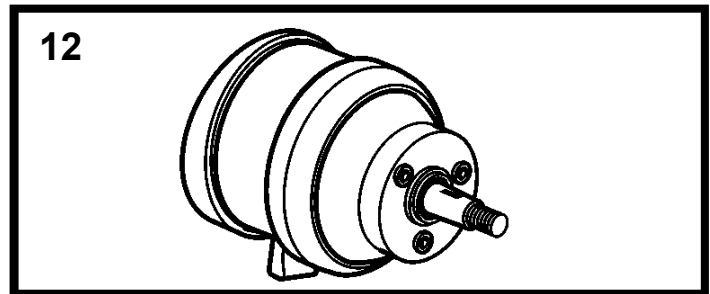
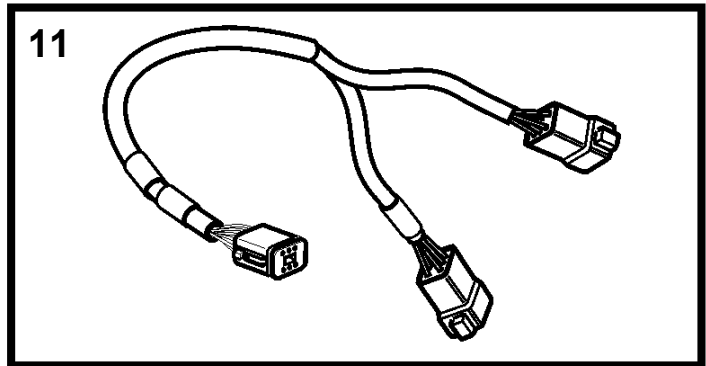
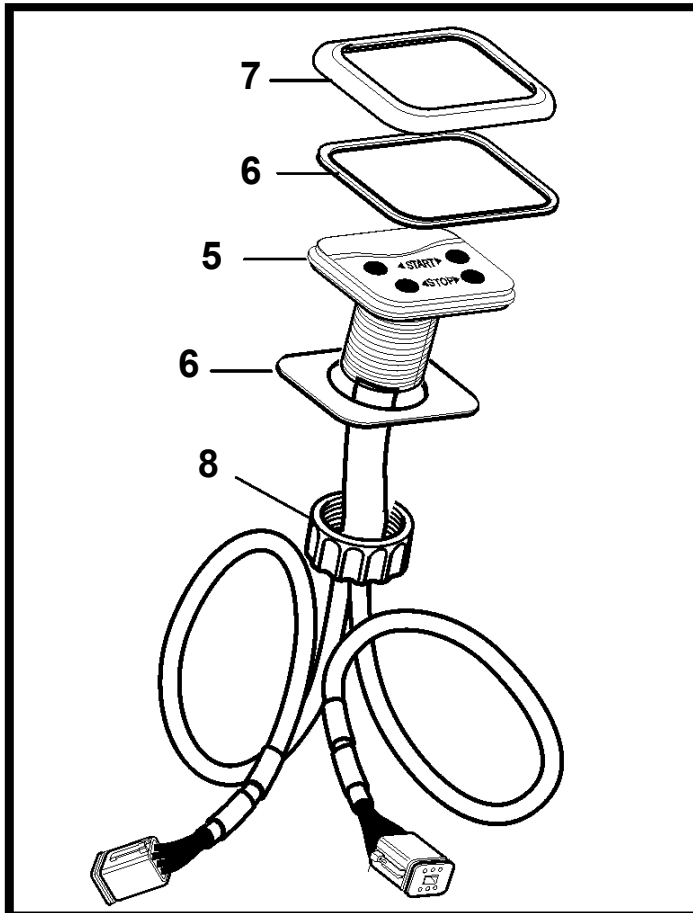
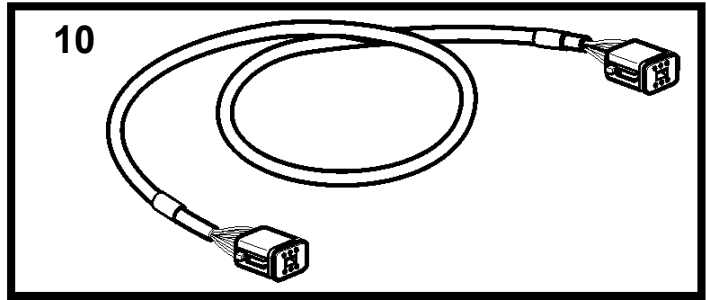
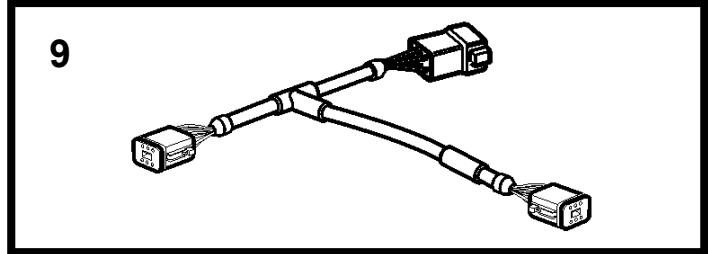
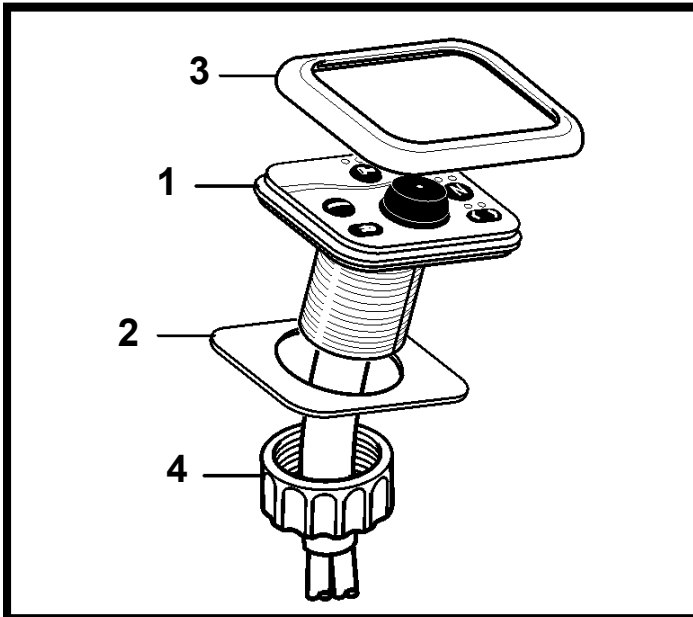


D6-310D-B, D6-310D-C, D6-310D-D, D6-330D-B, D6-330D-C, D6-330D-D, D6-370D-A, D6-370D-B, D6-370D-C, D6-370D-D, D6-310D-E, D6-330D-E, D6-370D-E, D6-435D-A, D6-435D-D, D6-435D-C, D6-435D-E



24995

D6-310D-B, D6-310D-C, D6-310D-D, D6-330D-B, D6-330D-C, D6-330D-D, D6-370D-A, D6-370D-B, D6-370D-C, D6-370D-D, D6-310D-E, D6-330D-E, D6-370D-E, D6-435D-A, D6-435D-D, D6-435D-C, D6-435D-E

REF	PART NO.	QTY	DESCRIPTION	NOTES
1	21310164	1	Control panel	
2	3808135	1	· Gasket	
3	3808131	1	· Frame	
4	3808134	1	· Nut	
5	40005642	1	Control panel, start/stop	Twin Installation, Dual station
6	3808135	1	· Gasket	Also for flushmounting.
7	3808131	1	· Frame	
8	3808134	1	· Nut	
9	3588972	2	Cable kit	
10	3886666	3	Cable	
11	3588206	2	Cable kit	
12	3841280	1	Steering wheel adjus	
13	3808380	1	Kit	