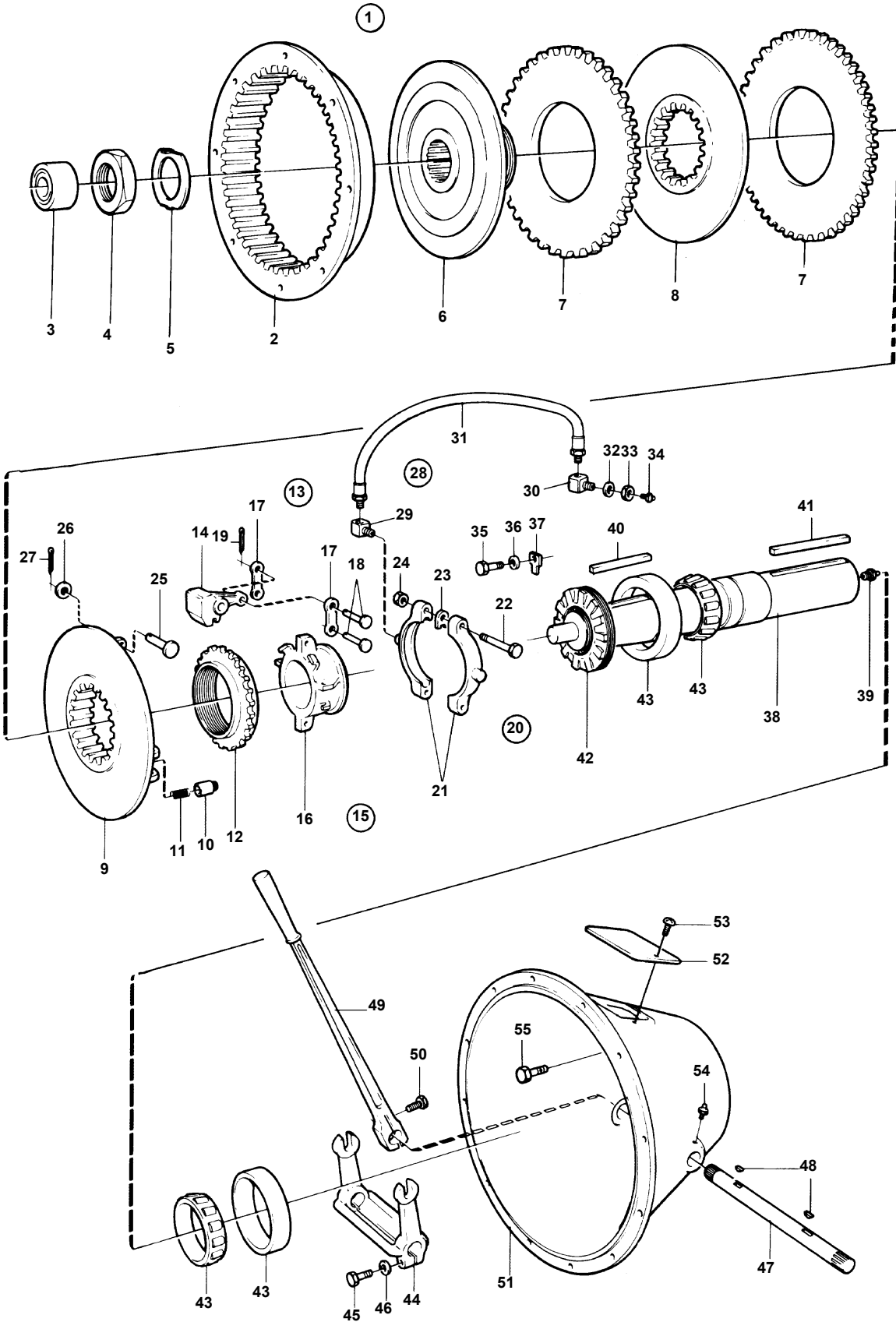


TAMD165A-A, TAMD165C-A



TAMD165A-A, TAMD165C-A

REF	PART NO.	QTY	DESCRIPTION	NOTES
1	(845705)	1	Clutch	SP211, Obsolete part
2	(848107)	1	· Drive ring	Obsolete part
3	806596	1	· Ball bearing	
4	(848118)	1	· Nut	Obsolete part
5	(848119)	1	· Washer	Obsolete part
6	(848108)	1	· Hub	Obsolete part
7	848109	2	· Drive plate	
8	(848111)	1	· Plate	Obsolete part
9	(848110)	1	· Disc	Obsolete part
10	(848115)	1	· Pin	Obsolete part
11	848116	1	· Spring	
12	(806126)	1	· Adjusting ring	Obsolete part
13		1	· Throw-out bearing	
14	806127	3	· · Intermediate lever	
15		1	· · Sliding sleeve	
16	848112	1	· · · Sleeve	
17	(806122)	6	· · · Link	Obsolete part
18	(806123)	6	· · · Shaft	Obsolete part
19	907849	6	· · · Split pin	
20	848126	1	· · · Stop ring	
21		1	· · · Collar	
22	(804869)	2	· · · Screw	Obsolete part
23	(848114)	2	· · · Adjusting washer	Obsolete part
24	(804839)	2	· · · Nut	Obsolete part
25	(827350)	3	· Clevis pin	Obsolete part
26	(806129)	6	· Lock washer	Obsolete part
27	907861	3	· Split pin	
28		1	· Hose	
29	(848128)	1	· · Nipple	Obsolete part
30	(848129)	1	· · Nipple	Obsolete part
31	848127	1	· · Hose	
32	955953	1	· Toothed washer	
33	(805560)	1	· Nut	Obsolete part
34	(827627)	2	· Lubricator	Obsolete part
35	(848120)	1	· Screw	Obsolete part
36	(808733)	1	· Washer	Obsolete part
37	(827642)	1	· Lock plate	Obsolete part
38	(848106)	1	· Shaft	Obsolete part
39	(805397)	1	· Lubricating nipple	Obsolete part
40	(804819)	1	· Key	Obsolete part
41	(806593)	1	· Key	Obsolete part
42	848124	1	· Retainer	
43	848117	2	· Bearing	
44	(848121)	1	· Fork	Obsolete part
45	940162	2	· Hexagon screw	
46	955950	2	· Toothed washer	
47	(806119)	1	· Shaft	Obsolete part
48		2	· Wedge	
49	(805732)	1	· Hand lever	Obsolete part
50	955563	1	· Hexagon screw	
51		1	· Housing	
52	(806007)	1	· Hatch	Obsolete part
53	(805558)	2	· Screw	Obsolete part
54	914167	2	· Lubricating nipple	
55	(961921)	1	· Set screw	Obsolete part