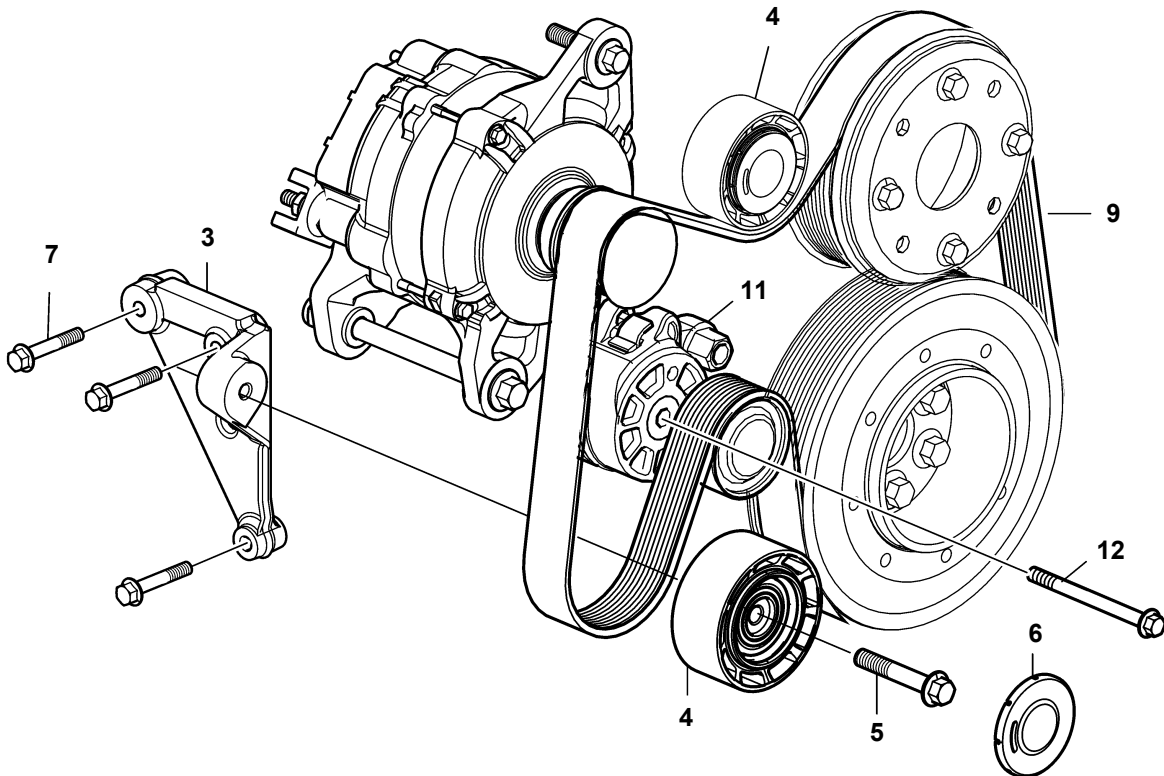
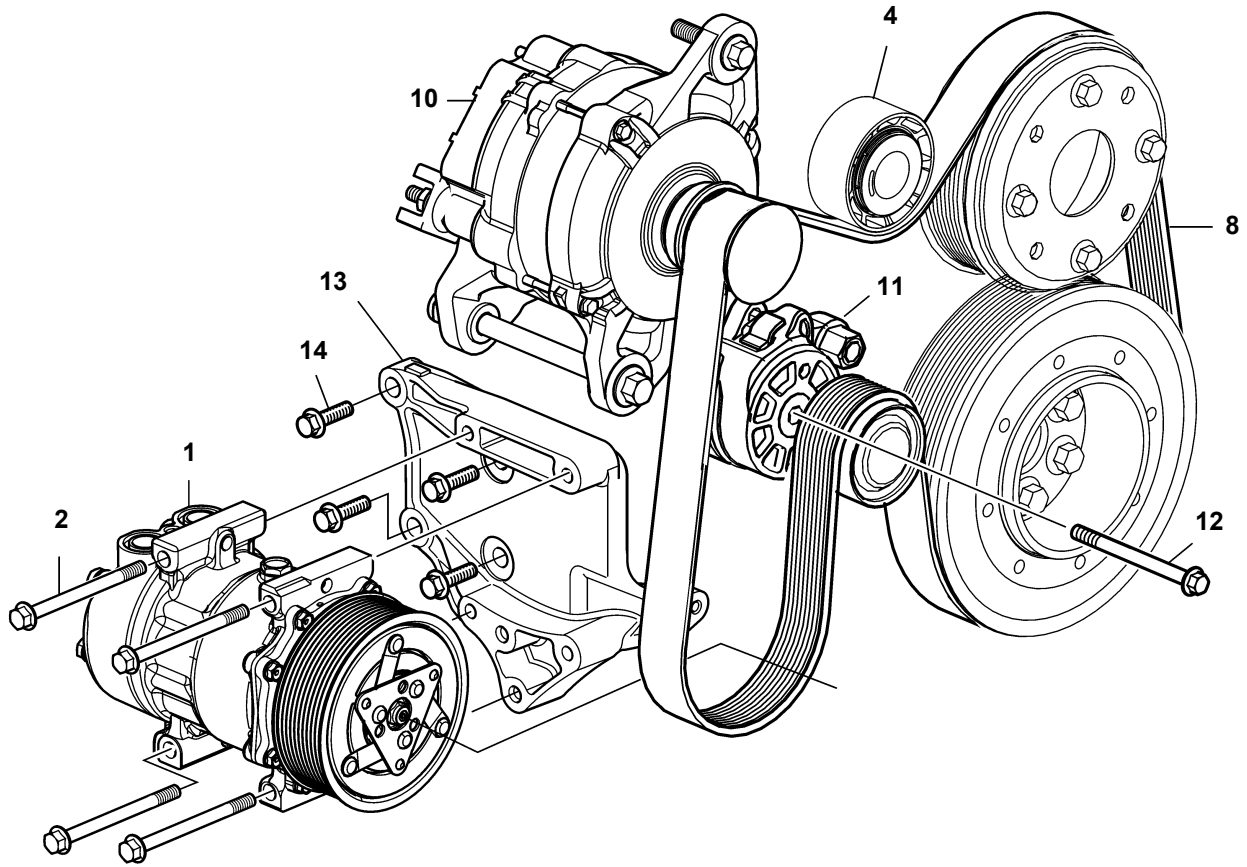


TAD570VE, TAD571VE, TAD572VE



TAD570VE, TAD571VE, TAD572VE

REF	PART NO.	QTY	DESCRIPTION	SEE SEC.	NOTES
1	82436934	1	Compressor	41332	
2	965184	4	Flange screw		Replaced by 984744
	984744	4	Flange screw		
3	21756296	1	Bracket		No AC Compressor, Replaced by 22416826
	22416826	1	Bracket		No AC Compressor
4	21531762	1	Idler pulley		Replaced by 22307253
	22307253	1	Idler pulley		
5	984757	1	Flange screw		
6	21650057	1	Cover		
7	994385	3	Flange screw		
8	21531745	1	V-ribbed belt		AC Compressor, Replaced by 22707521
	22707521	1	V-ribbed belt		AC Compressor
9	21531751	1	V-ribbed belt		No AC Compressor, Replaced by 22707523
	22707523	1	V-ribbed belt		No AC Compressor
10	21922755	1	Alternator		24V 110A
	21922756	1	Alternator		24V 130A
11	21750781	1	Belt tensioner		Replaced by 22307251
	22307251	1	Belt tensioner		
12	984760	1	Flange screw		
13	22416823	1	Bracket		
14	984816	4	Flange screw		