

Handles, Locks, Latches and Entry Systems - Exterior Front Door Handle

Removal and Installation

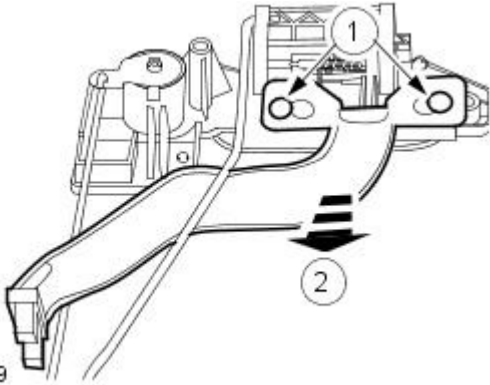
Removal

1. Remove the front door actuator.
For additional information, refer to [Front Door Lock Actuator](#) in this section.

2. Remove the exterior front door handle mounting bracket.

1. Release the tangs.

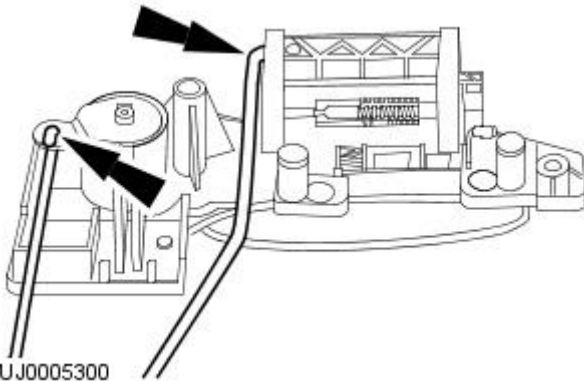
2. Remove the exterior front door handle mounting bracket.



VUJ0005299

3. Remove the exterior front door handle.

- Detach the connecting rods.



VUJ0005300

Installation

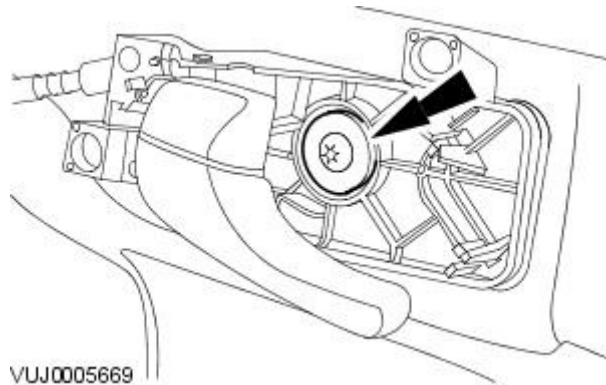
1. To install, reverse the removal procedure.

Handles, Locks, Latches and Entry Systems - Exterior Rear Door Handle

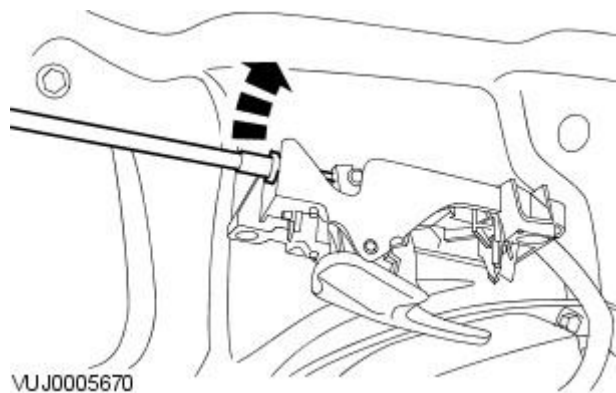
Removal and Installation

Removal

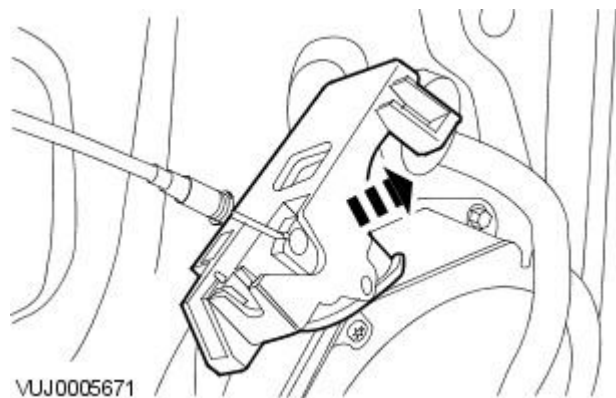
1. Remove the rear quarter window glass.
For additional information, refer to Section [501-11 Glass, Frames and Mechanisms](#).
2. Raise the rear door window glass.
3. Detach the interior door handle.



4. Release the actuator remote cable from the interior door handle.



5. Remove the interior door handle.



6. Remove the exterior door handle bezel retaining screw.

